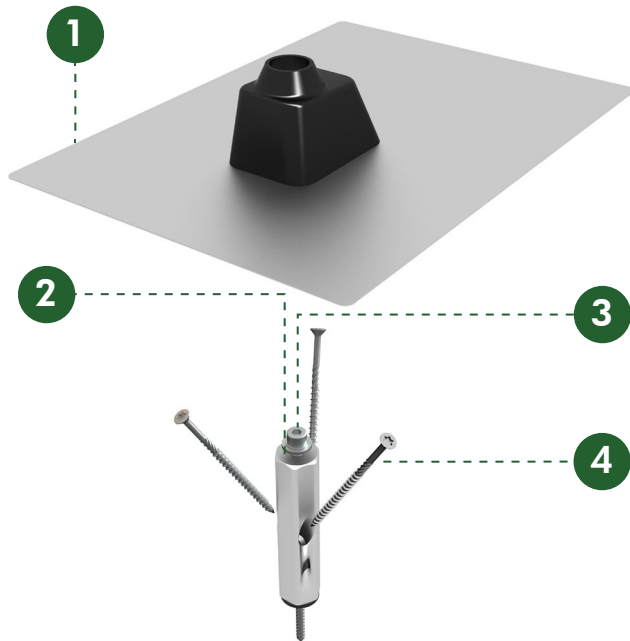


TopTile Deck Mount

28mm (1-1/8") Hex Socket is used to install the TopTile stanchion



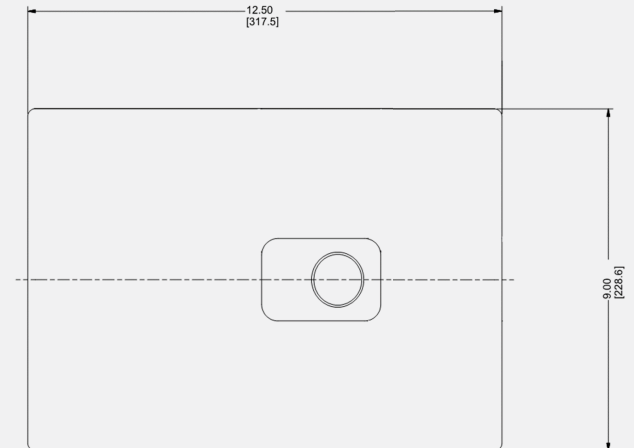
Part Description: 5" TopTile Deck Mount
Part No.: K10461-105

Part Description: 7" TopTile Deck Mount
Part No.: K10461-107

Part Description: 8" TopTile Deck Mount
Part No.: K10461-108

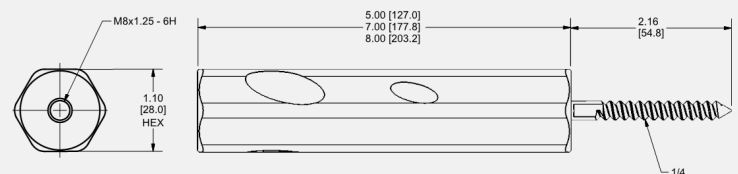
Item No.	Description	Qty in Kit
1	Flashing with EPDM Sealant Cover, 9"X12.5"	1
2	Deck Stanchion Assembly <ul style="list-style-type: none"> Deck Stanchion Hanger Bolt 1/4 X2.0 Washer 	1
3	#14 General Purpose Wood Screw	1
4	SEM Cap Screw Assembly <ul style="list-style-type: none"> SEMS Cap Screw M8X20 M8 Fender Washer 	3

1. Flashing with EPDM Sealant Cover



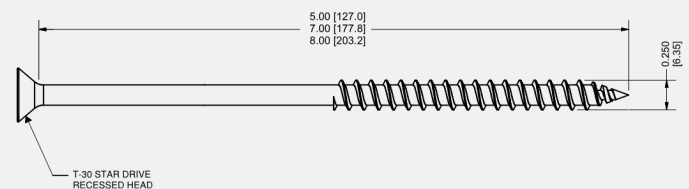
Material: Aluminum
 Finish: Silver Powder Coating

2. Deck Stanchion Assembly



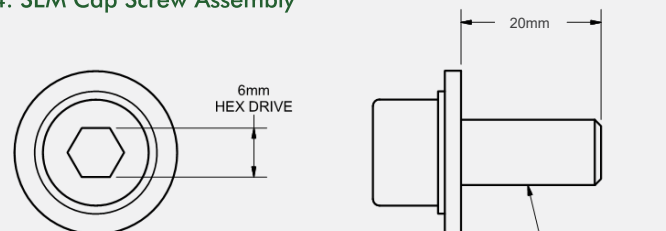
Material: Aluminum
 Finish: Silver Powder Coating + Stainless Steel hardware

3. #14 General Purpose Wood Screw



Material: Stainless Steel
 Finish: Clear

4. SEM Cap Screw Assembly



Material: Stainless Steel
 Finish: Clear