

## SMR300 Rail A20444-xxx



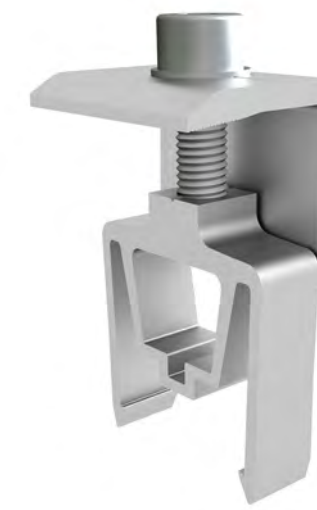
P/N	Description
A20444-174/212-ML	SMR300, 174"/212", Mill Finish
A20445-001	SMR300 Rail End Cap

## SMR Mid Clamp K10417-003



P/N	Description
K10417-003	Mid Clamp, SMR Pop-On

## SMR End Clamp K10418-003



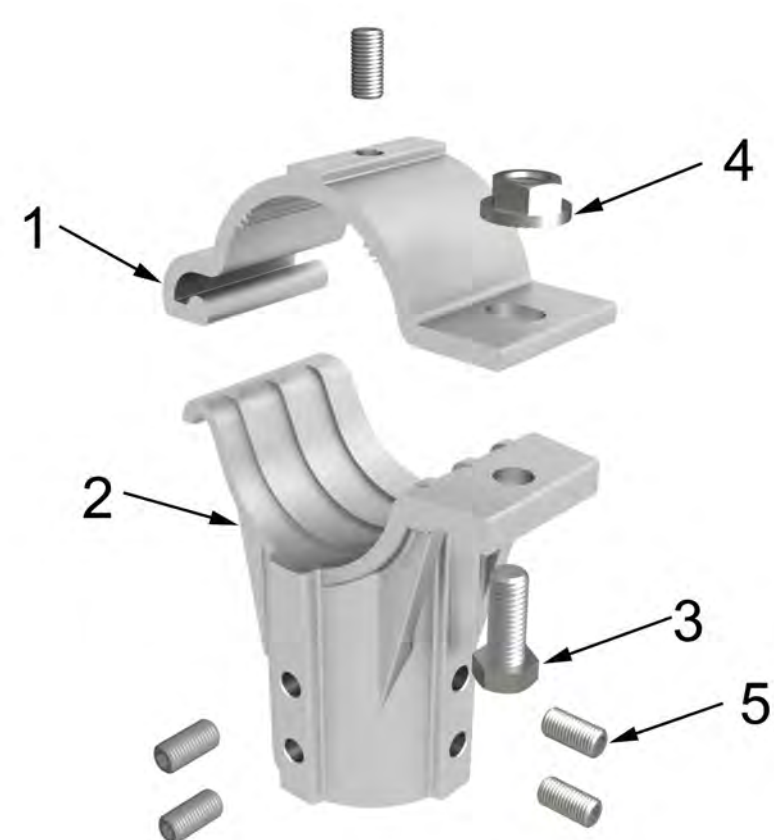
P/N	Description
K10418-003	End Clamp, SMR Pop-On

## SMR Grounding Lug K10469-001



P/N	Description	Note
K10469-001	SMR Grounding Lug	1 per array up to 30 amps max

## Pipe T-Cap K10341-002



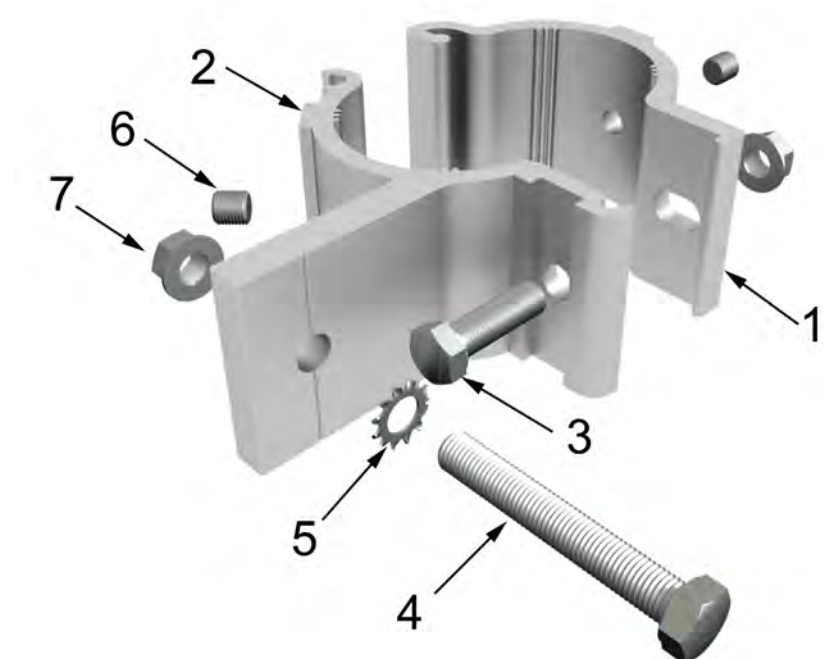
Part	P/N	Description	QTY
1	A20326-001	2.5" Pipe Tee, Male	1
2	A20327-002	2.5" Pipe Tee, Female	1
3	B15014-005	Hex Cap Screw 1/2-13 X 1.25", 304 SS	1
4	B15020-001	Flange Nut 1/2-13	1
5	B10001-001	Set Screw M10X20	5

## Swivel Pipe Cap K10373-001



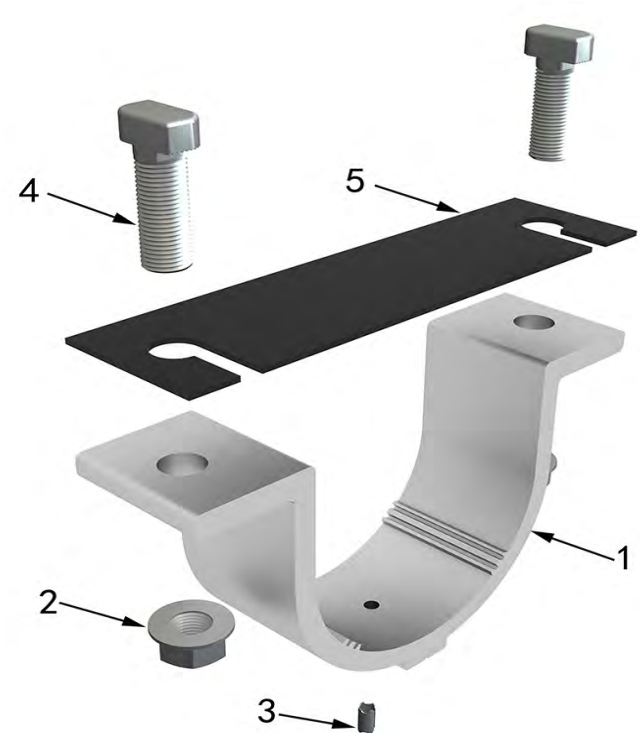
Part	P/N	Description	QTY
1	A20326-001	2.5" Pipe Tee, Male	1
2	A20362-001	Tilt Head	1
3	A20363-001	Tilt Base	1
4	B10001-002	Set Screw M10X20	5
5	B15014-005	Hex Cap Screw 1/2-13 X 1.25", 304 SS	1
6	B15020-001	Flange Nut 1/2-13	1
7	B15072-001	Hex Cap Screw 3/4 - 10 x 2"	1
8	B15073-001	Star Washer for 3/4 Bolt	1
9	B15081-001	Flat Washer 3/4	1

## 2" Pipe Clamp K10219-001 2.5" Pipe Clamp K10222-001



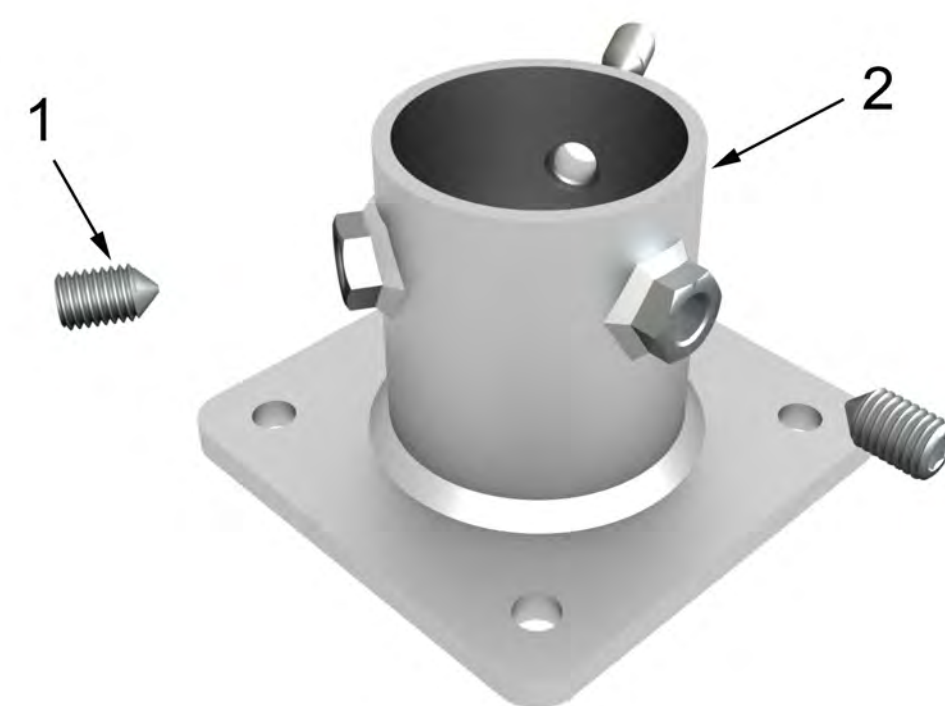
Part	P/N	Description	QTY
1	A20235-001/ A20238-001	2" Pipe Clamp Male/ 2.5" Pipe Clamp Male	1
2	A20236-001/ A20239-001	2" Pipe Clamp Female/ 2.5" Pipe Clamp Female	1
3	B15018-002	Hex Cap Screw 3/8-16 X 1.25"	1
4	B15018-004	Hex Cap Screw 3/8-16 X 2.5"	1
5	B15048-001	Star Washer for 3/8 Bolt	1
6	B10001-002	Set Screw M10X10	2
7	B15003-001	Flange Nut 3/8-16	2

## Pipe U-Clamp K10343-005



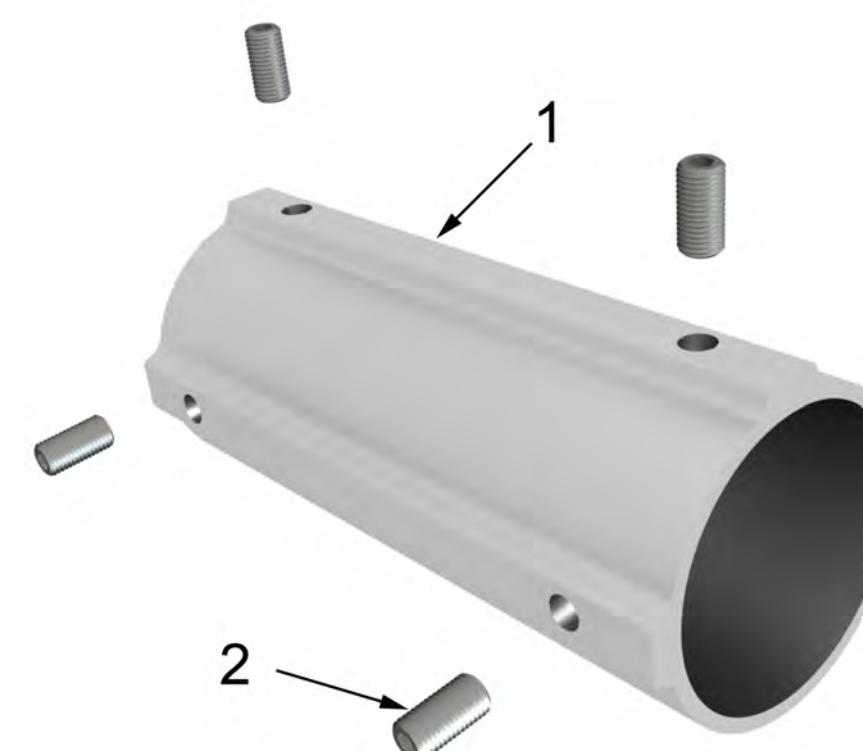
Part	P/N	Description	QTY
1	A20329-001	2.5" Pipe U-Clamp	1
2	B10029-001M	Hex Flange Nut M10	2
3	B20018-002	Grounding Pin	1
4	B50031-001	T-bolt M10X25	2
5	C10005-006	PVC Gasket T=1.5mm	1

## Post Base Plate K10268-005



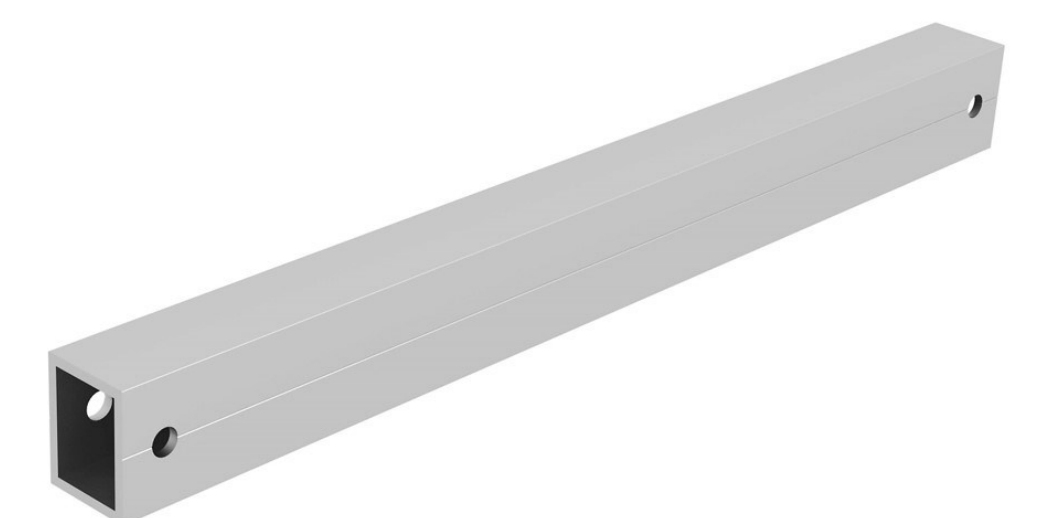
Part	P/N	Description	QTY
1	A21120-005	2" Galvanized Pipe Base	1
2	B10053-001	Conical Set Screw M12X20	3

## Pipe Splice K10342-001



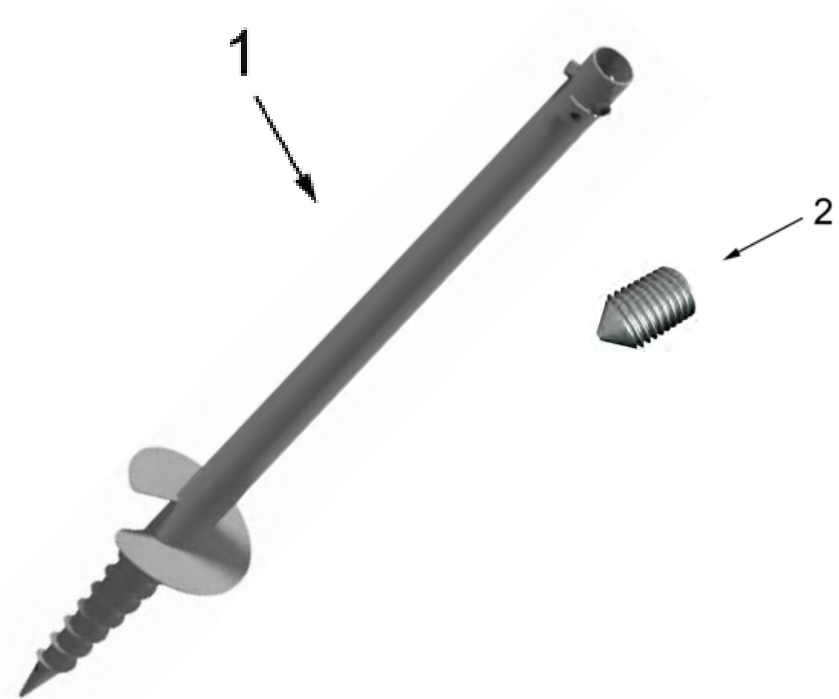
Part	P/N	Description	QTY
1	A20328-001	2.5" Pipe Splice	1
2	B10001-001	Set Screw M10X20	4

## Diagonal Brace A50164-xxx



P/N	Description
A50164-066	HSS Tube Brace, 66"
A50164-092	HSS Tube Brace, 92"
A50164-120	HSS Tube Brace, 120"

## 79" Helical Anchor K10414-079



Part	P/N	Description	QTY
1	A21178-079	Helical Anchor, 79"	1
2	B10055-001	Set Screw, Cone Tip, M16 x 25mm, 304 SS	3

## 63" Ground Screw K10423-063 80" Ground Screw K10423-080



Part	P/N	Description	QTY
1	A21147-063/080	Ground Screw, 63"/80"	1
2	B10055-001	Set Screw, Cone Tip, M16 x 25mm, 304 SS	3

## 2" Vertical Pipe A21165-xxx 2.5" Horizontal Pipe A21168-xxx



P/N	Description
A21165-060/120	2" HSS Pipe
A21168-112	2.5" HSS Pipe

## Microinverter Kit K50052-003



P/N	Description
K50052-003	SMR Microinverter Kit