



GO BIG ON TURF

SunTurf™ Ground Mount System



SunModo offers the next generation Ground Mount System with SunTurf™. The streamlined design combines the strength of Helio Rails with locally-sourced steel pipes to create the perfect ground mount solution.

SunTurf™ is ideal for solar installers looking for a durable and cost-effective system that can accommodate a wide variety of soil conditions.

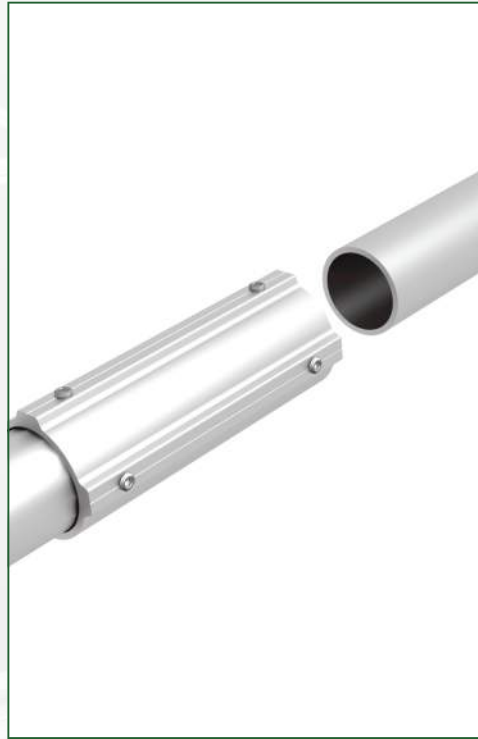
The SunTurf™ Ground Mount Advantage

- ✓ Easily scalable from kilowatts to multimewatts PV Arrays.
- ✓ Integrates with Schedule 10 or 40 galvanized 2" steel pipe.
- ✓ Foundation design solution for every soil condition.
- ✓ Online configuration tool available to streamline design process.
- ✓ Components optimized for strength, durability and fast installation.
- ✓ UL 2703 Listed by Intertek.

Key Features of SunTurf™ Ground Mount System



SunTurf™ Ground Mount System easily integrate Helio Rails with 2-inch Schedule 10 or 40 steel pipes. No drilling is required to attach the aluminum rails to the horizontal pipe. Optional bracing can provide additional structural rigidity for suites with high snow or wind load conditions. Anchor any ground mount installation using one of our fountain types including helical piles, precast ballasts and concrete piers.



Technical Data

Application	Ground Mount
Material	High grade aluminum, galvanized steel and 304 stainless steel hardware
Module Orientation	Portrait and landscape
Tilt Angle	Range between 10 to 50 degrees
Foundation Types	Post in concrete, helical earth auger, ground screw anchor and ballast
Structural Integrity	Stamped engineering letters available
Certification	UL 2703 Listed by ETL
Warranty	20 Years