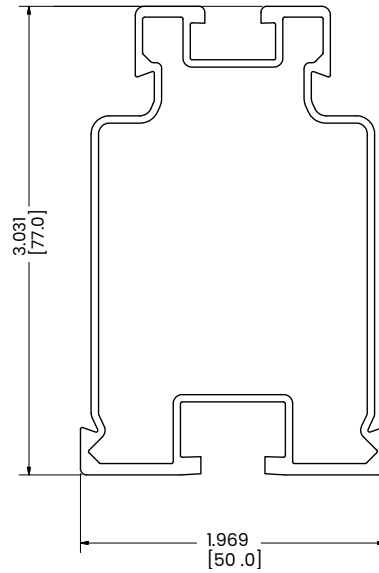
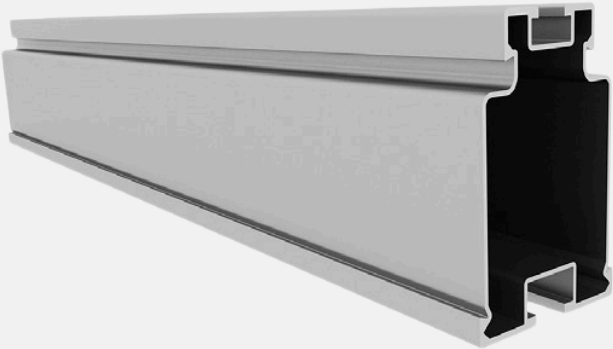


SMR300 RAIL



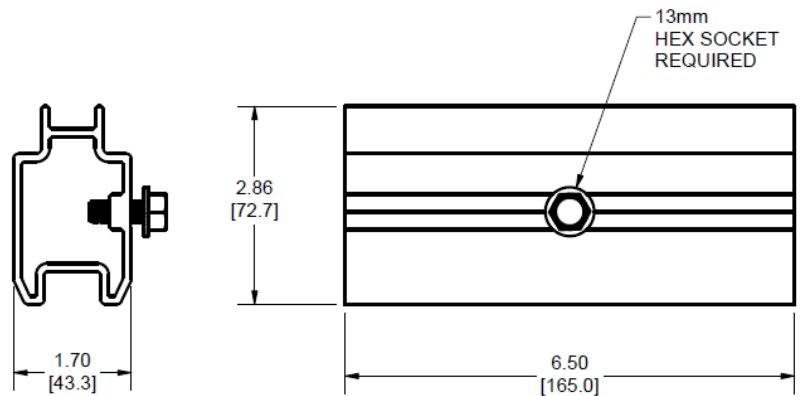
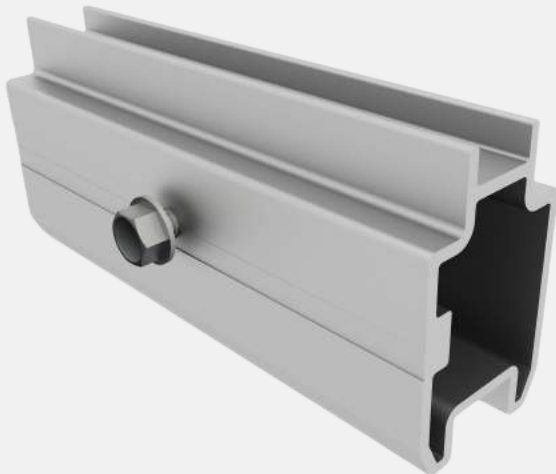
► Mechanical Properties

Material: 6005-T5 Aluminum
 Weight: 0.4126 lbs/ft (0.614 kg/m)
 Ultimate Tensile Strength: 37.7 ksi (260 MPa)
 Yield Strength: 34.8 ksi (240 MPa)

► Section Properties

Sx: 0.196 in³ (3.21 cm³)
 Sy: 0.146 in³ (2.39 cm³)
 Area (X-section): 0.352 in² (2.27 cm²)

SMR300 RAIL SPLICE



► Mechanical Properties

Material: 6005-T5 Aluminum
 Weight: 0.783 lbs/ft (1.167 kg/m)
 Ultimate Tensile Strength: 37.7 ksi (260 MPa)
 Yield Strength: 34.8 ksi (240 MPa)

► Section Properties

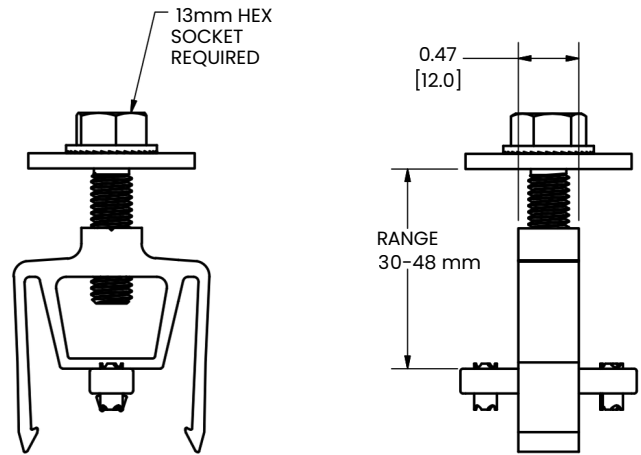
Sx: 0.527 in³ (8.64 cm³)
 Sy: 0.303 in³ (4.97 cm³)
 Area (X-section): 0.669 in² (4.32 cm²)

PART # / DESCRIPTION

SMR300-174-M	SMR300 Rail, 174", Mill Finish
SMR300-212-M	SMR300 Rail, 212", Mill Finish
SPLC-SMR300	Rail Splice SMR300

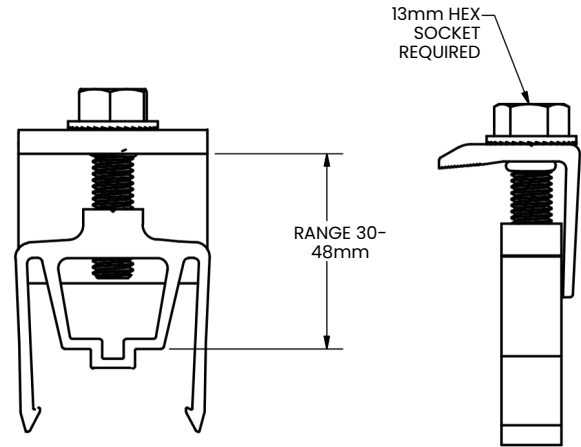
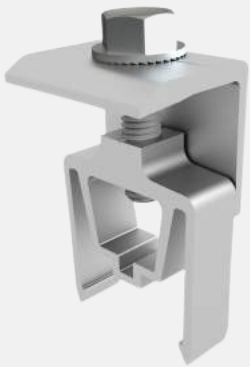


MID CLAMP



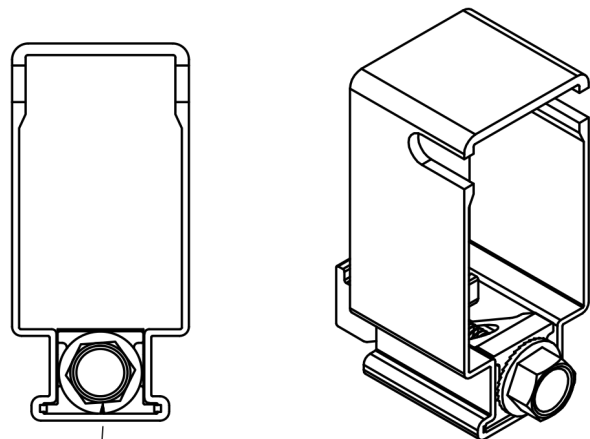
Material: Aluminum and Stainless Steel hardware

END CLAMP



Materials: Aluminum and Stainless Steel hardware

BOTTOM END CLAMP



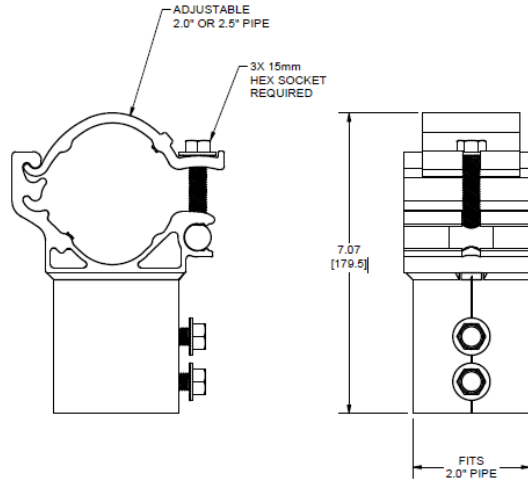
Materials: Aluminum and Stainless Steel hardware

PART # / DESCRIPTION

CLMP-MID-SMR-S	Mid Clamp, SMR Pop-On, Silver
CLMP-MID-SMR-B	Mid Clamp, SMR Pop-On, Black
CLMP-END-SMR-S	End Clamp, SMR Pop-On, Silver
CLMP-END-SMR-B	End Clamp, SMR Pop-On, Black
CLMP-BOT-SMR300-S	Bottom End Clamp, SMR100, Silver

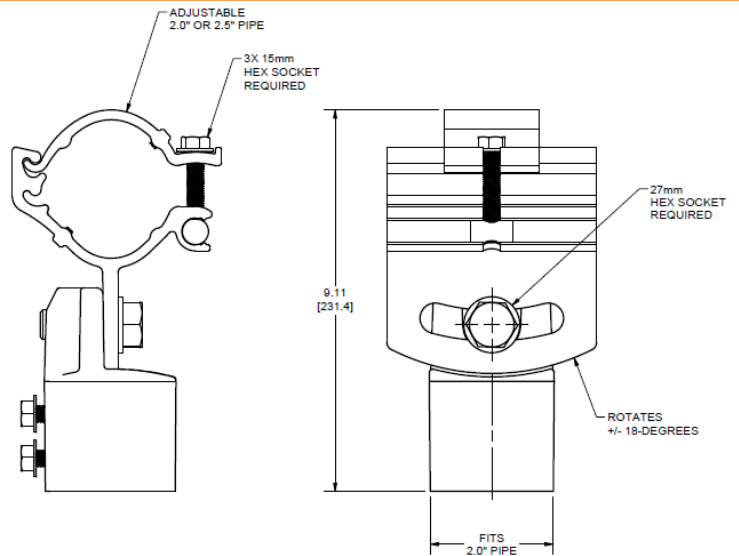


UNIVERSAL PIPE CAP



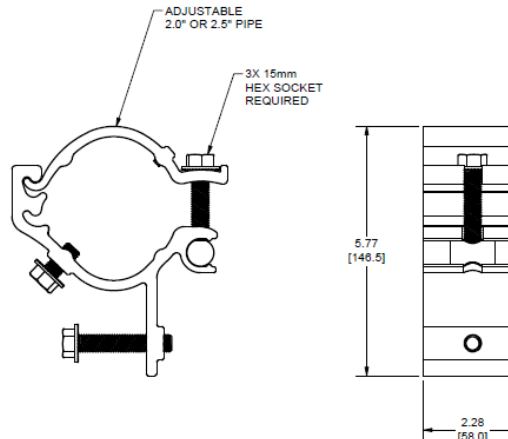
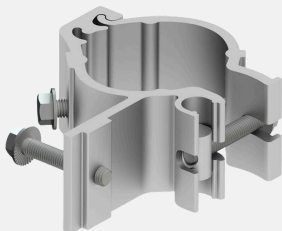
Material: Aluminum and Stainless Steel hardware

SWIVEL UNIVERSAL PIPE CAP



Material: Aluminum and Stainless Steel hardware

ADJUSTABLE PIPE CLAMP



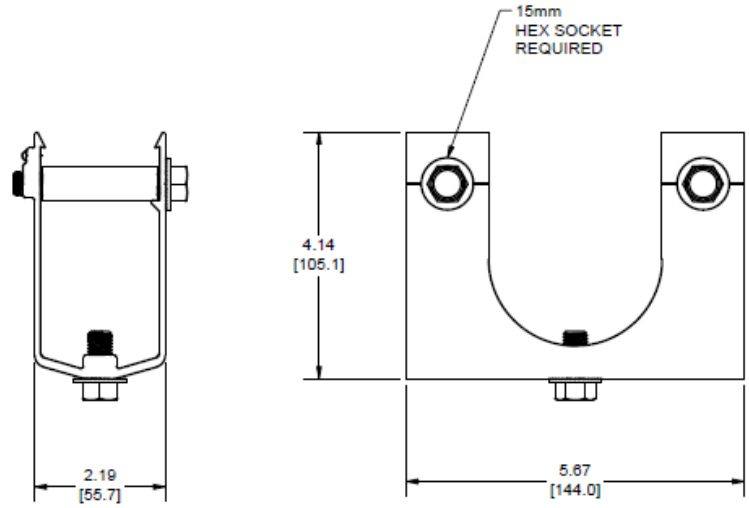
Material: Aluminum and Stainless Steel hardware

PART # / DESCRIPTION

PIPECAP-UNI	Pipe Cap, Universal (2" or 2.5")
PIPECAP-SWIVEL-UNI	Swivel Pipe Cap, Universal (2" or 2.5")
CLMP-PIPE-UNI	Pipe Clamp, Universal (2" or 2.5")

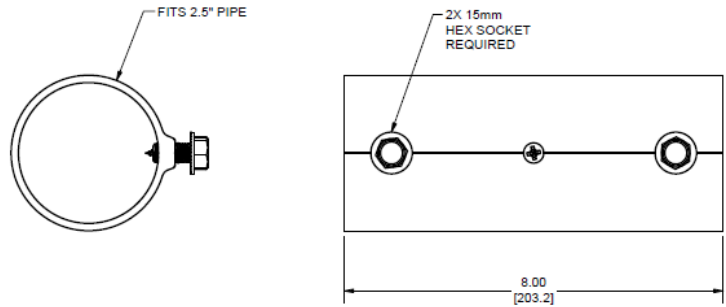


SMR300 RAIL CLAMP



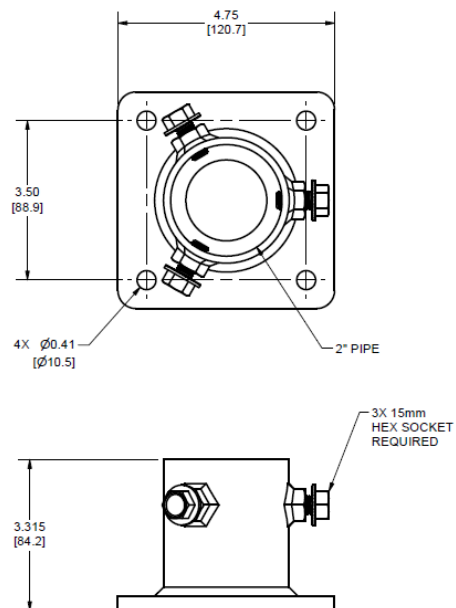
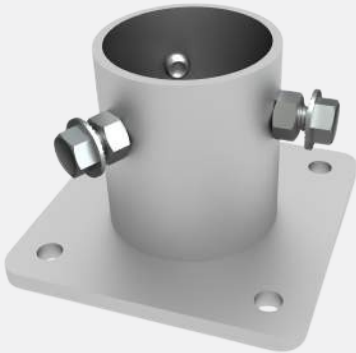
Material: Aluminum and Stainless Steel hardware

EXTERNAL PIPE SPLICE



Material: Aluminum and Stainless Steel hardware

PIPE BASE



Material: Galvanized Steel and Stainless Steel hardware.

PART # / DESCRIPTION

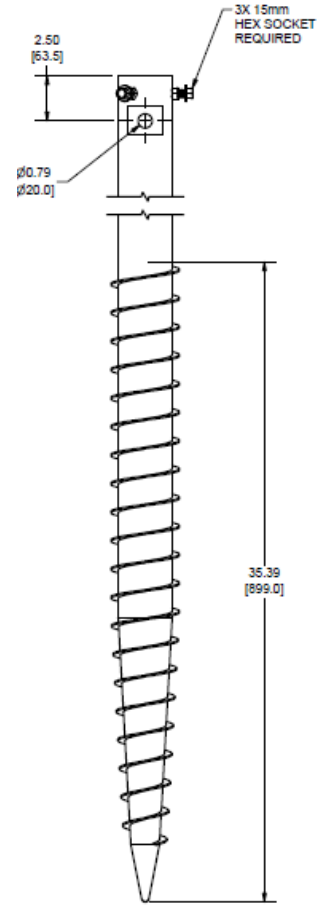
CLMP-SMR300-25-POP	Pipe U-Clamp, 2.5", SMR300, Pop-on
SPLC-PIPE-25	2.5", External Pipe Splice
BASE-PIPE-20	Base Plate, Steel, 2" Pipe



CUT SHEET

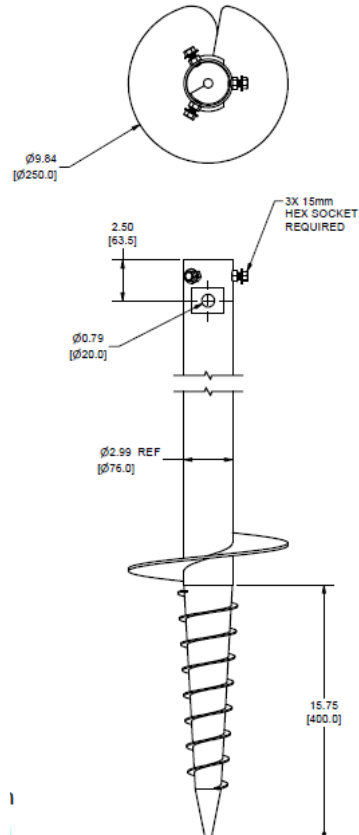
SUNTURF®

GROUND SCREW



Material: Galvanized Steel and Stainless Steel hardware

HELICAL ANCHOR



Material: Galvanized Steel and Stainless Steel hardware

PART # / DESCRIPTION

GRSCREW-63	Ground Screw, 63", with set screw
GRSCREW-80	Ground Screw, 80", with set screw
HELICAL-79	10" Helix Blade Auger, 79"

D10261-V2.0

Dimensions shown are inches (and millimeters) Details are subject to change without notice

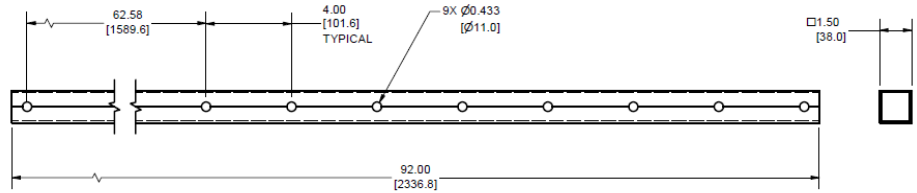




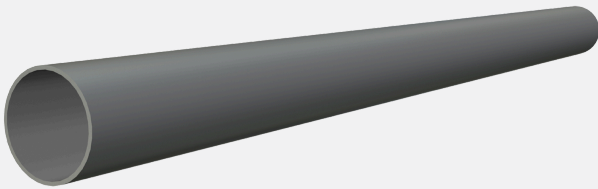
CUT SHEET

SUNTURF®

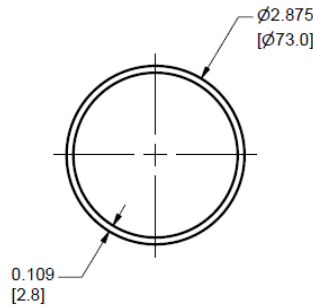
92" / 120" BRACE



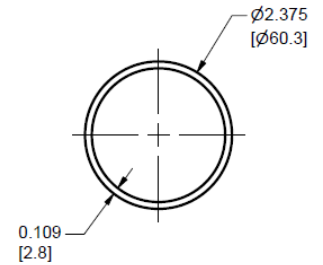
PIPE-20-60" / 120" PIPE-25-112"



Material: High Strength Steel (HSS)

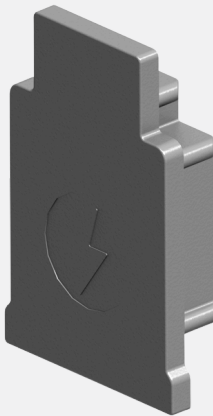


➤ 2.5" Diameter Pipe

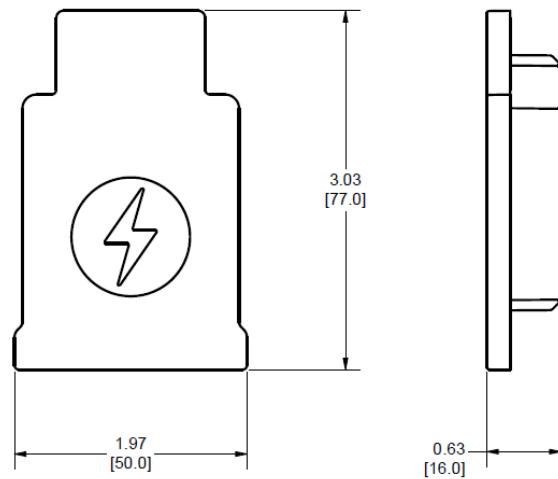


➤ 2" Diameter Pipe

SMR300 RAIL END CAP



Material: 12-Gauge HSS Hot Dip Galvanized Steel Pipe



Material: Gray Polyamide

PART # / DESCRIPTION

BRACE-TUBE-92	Diagonal Brace, 92", Silver
BRACE-TUBE-120	Diagonal Brace, 120", Silver
PIPE-20-60	Pipe, HSS, 2", 60"
PIPE-20-120	Pipe, HSS, 2", 120"
PIPE-25-112	Pipe, HSS, 2.5", 112"
CAP-SMR300-G	Rail End Cap, SMR300, Gray