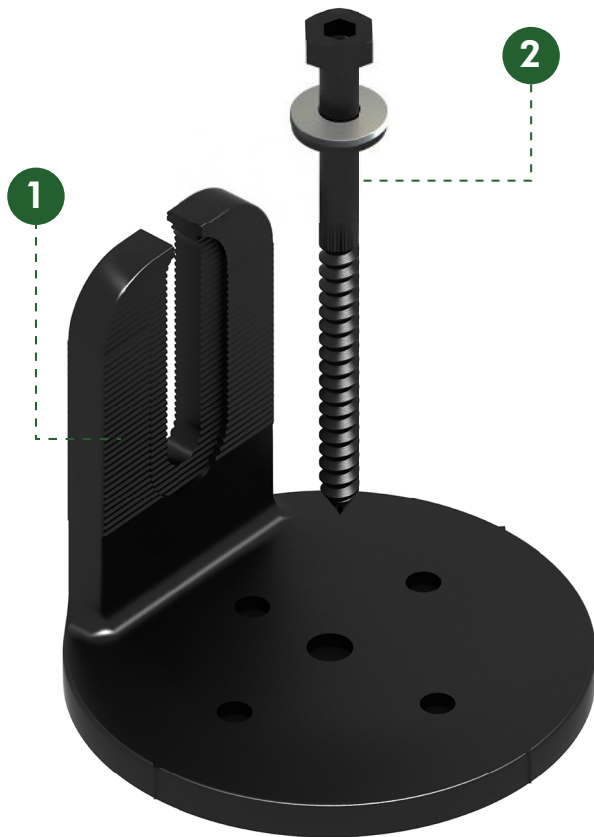


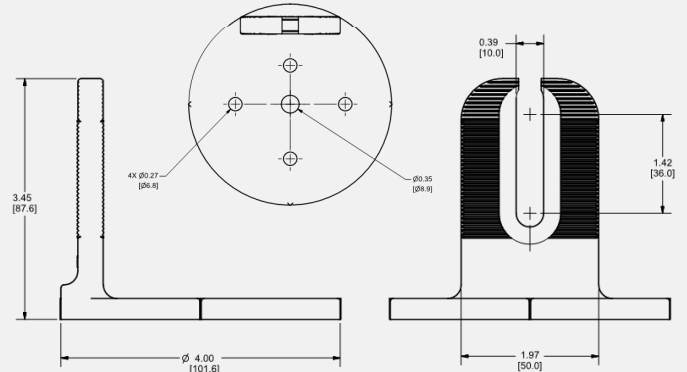
NanoMount™ (Rafter)



Part Description: Nano Rafter Mount, Black
Part No.: K50053-BK1

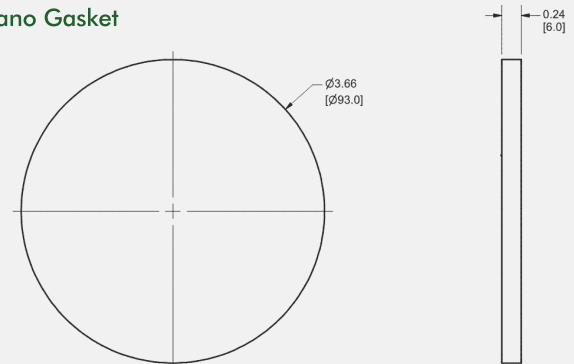
Item No.	Description	Qty in Kit
1	Nano Rafter Mount Assembly <ul style="list-style-type: none"> Nano Rafter Mount Nano Gasket 	1
2	Lag Bolt Assembly <ul style="list-style-type: none"> Hex Lag Bolt M8X115, DIN 571, 304S Sealing Washer .33 ID X .75 X .157 	1

1. Nano Mount



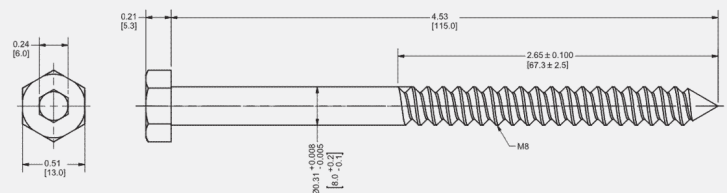
Material: Aluminum
 Finish: Black Powder Coating

2. Nano Gasket



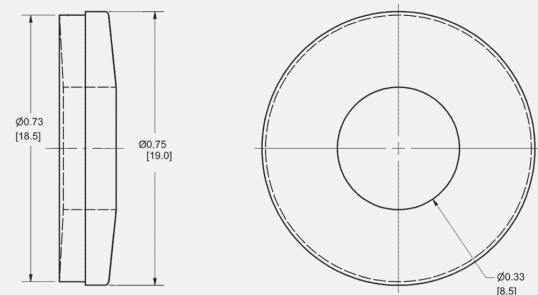
Material: USWR Gasket with Adhesive

3. Hex Lag Bolt M8X115, DIN 571, 304SS



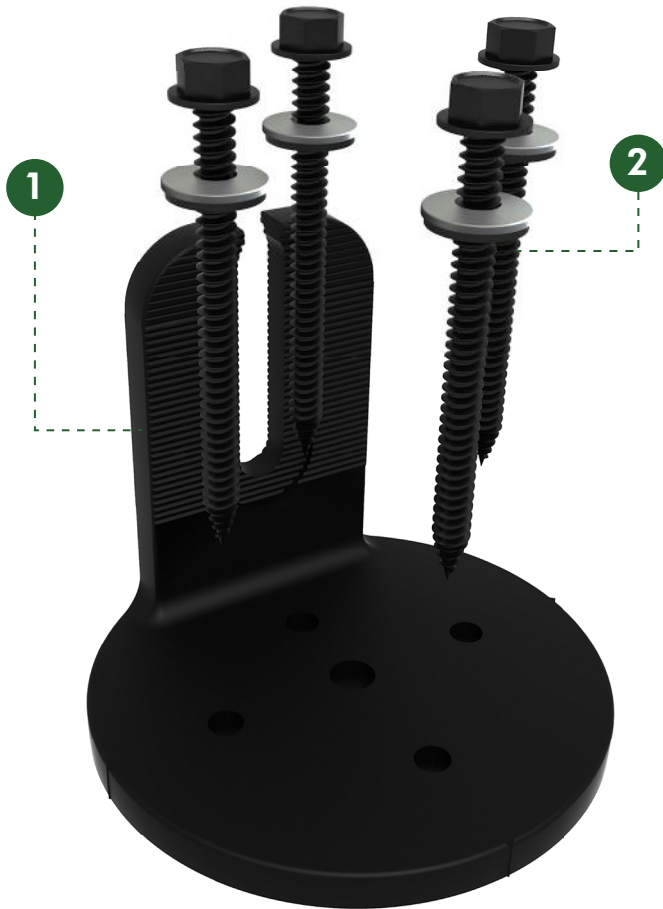
Material: Stainless Steel
 Finish: Clear

4. Sealing Washer .33ID X .75X .157



Material: EPDM + Stainless Steel

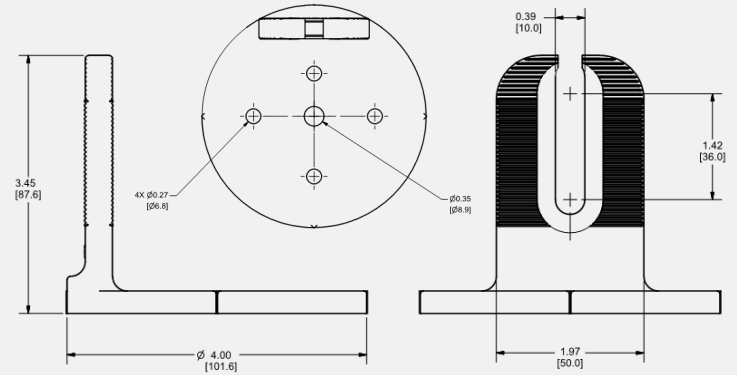
NanoMount™ (Decking)



Part Description: Nano Deck Mount, Black
Part No.: K50053-BK3

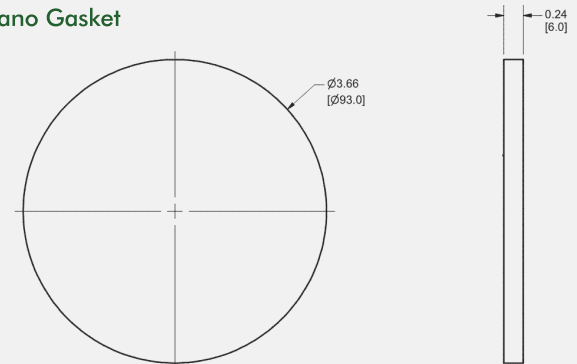
Item No.	Description	Qty in Kit
1	Nano Deck Mount Assembly <ul style="list-style-type: none"> Nano Deck Mount Nano Gasket 	1
2	Decking Screw Assembly <ul style="list-style-type: none"> Self-Tapping Screw, #6.3 X 76 Sealing Washer .26ID X .50X .125 	4

1. Nano Mount



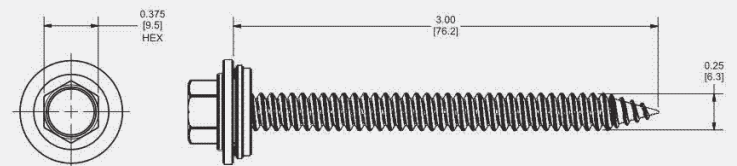
Material: Aluminum
 Finish: Black Powder Coating

2. Nano Gasket



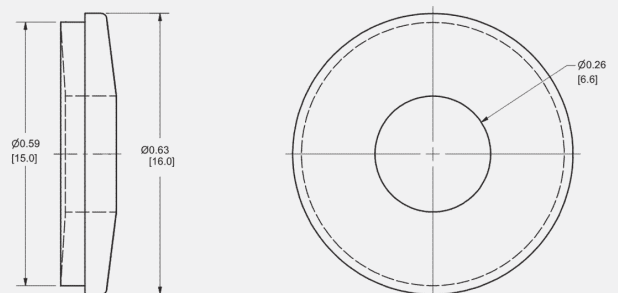
Material: USWR Gasket with Adhesive

3. Self-Tapping Screw, #6.3 X 76



Material: Stainless Steel
 Finish: Clear

4. Sealing Washer .26ID X .50X .125



Material: EPDM + Stainless Steel