

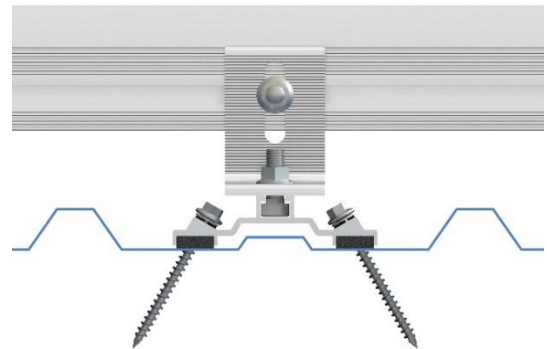
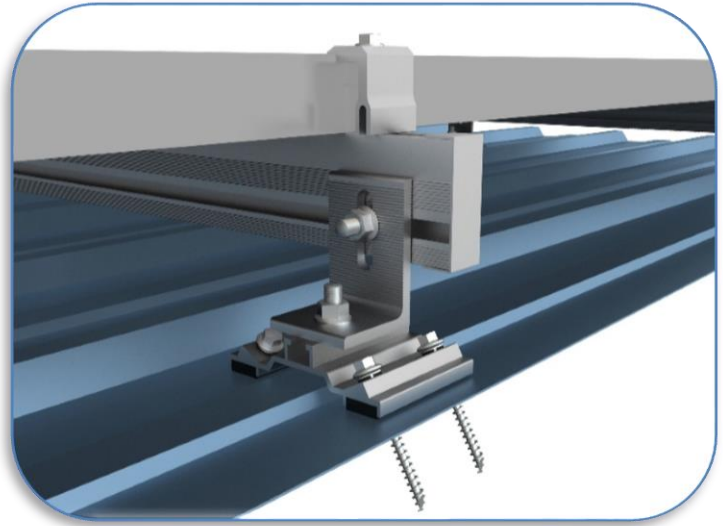
EZ GRIP METAL DECK MOUNT

Make your next metal roof attachment without the daunting task of locating the truss.

SunModo's EZ Grip Metal Deck Mount installs into 26 gage sheet metal, 1/2 plywood or 7/16 OSB roof decking material.

SunModo's EZ Grip Metal Deck Mount installs in just minutes into sheet metal, plywood or OSB roof decking. The four included 1/4 x 3" Hex Washer Head Self-tapping Screws have the length to penetrate through 1-1/2 inches of insulation while still piercing completely through the roof decking. And since the four screws are guided by the aluminum extruded base to penetrate at a 30-degree angle, the Metal Roof Deck Mount Kit offers superior attachment performance. 1/4-20 Self-drilling screws can be used for attachments into 26 gage minimum thickness metal roofs.

The EZ Grip Metal Deck Mount is designed to fit on the most popular R-Panel and U-Panel trapezoidal types of metal roofs. The aluminum extruded base easily clears roof profiles 7/16" tall by 1-1/2" wide. The EPDM gaskets on the washers and on the aluminum extruded base combine to provide a water tight seal at the roof penetration site.



Features and Benefits

- Attaches into 1/2 plywood or 7/16 OSB roof decking material using four 1/4 x 3" Hex Washer Head Self-tapping Screws
- Attaches into 26 gage minimum thickness sheet metal using four 1/4 x 2" Hex Washer Head Self-drilling Screws
- Angled penetrations provide superior attachment performance
- A wide variety of L-feet and attachment options are available
- Passed the High-Velocity Hurricane Zone (HVHZ) –TAS 100(a) Wind-Driven Rain Test