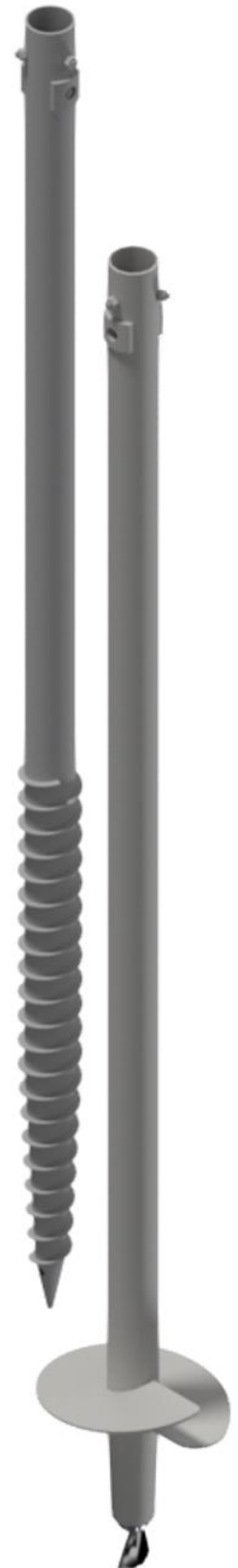
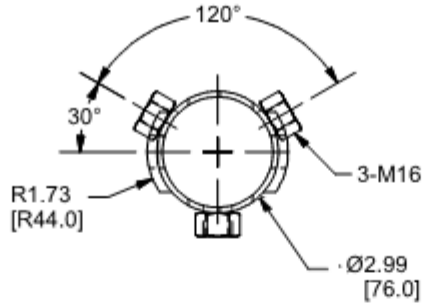




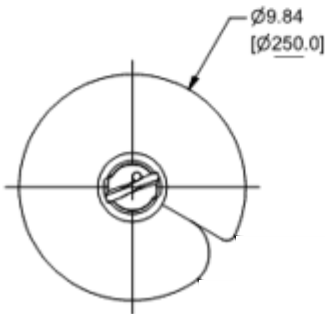
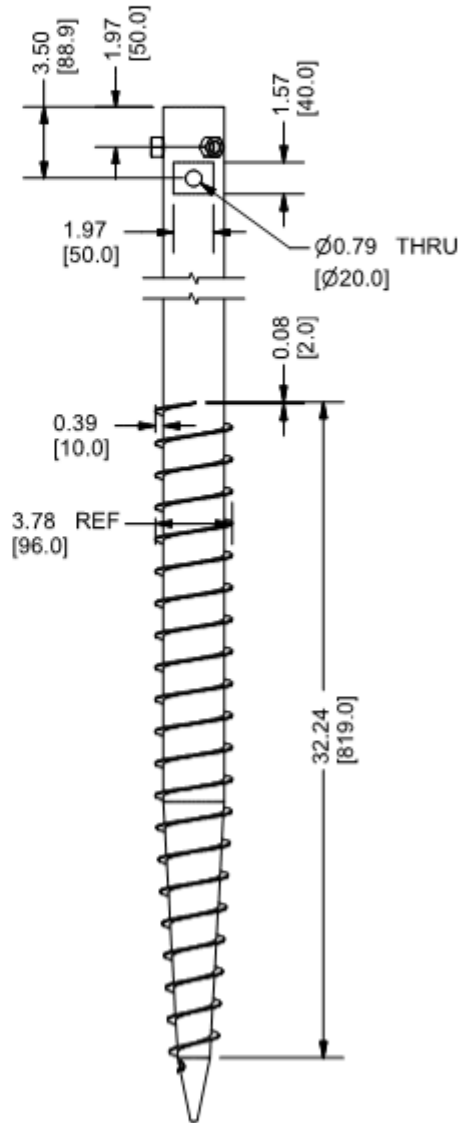
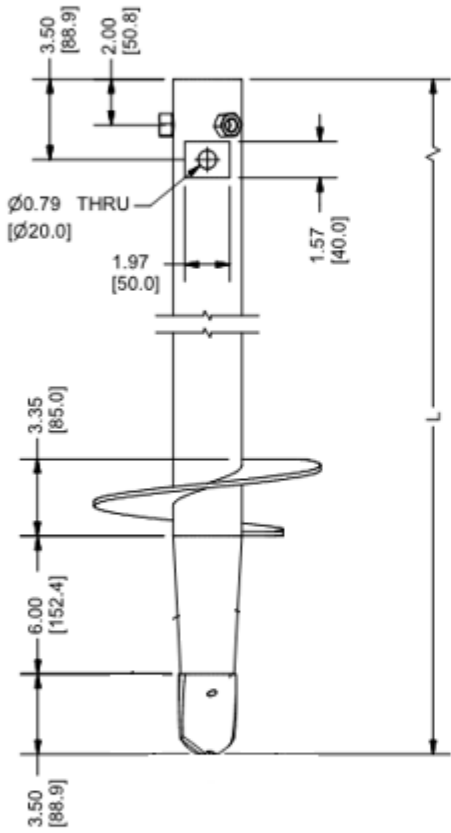
BASIC INFORMATION	
Part Number	A21146-XXX
Description	10" Helix Blade Auger
Lengths (-063 -080)	63 inches 80 inches
Auger Outside Diameter	76mm
Attachment Hardware	3X M16 Set Screws
Material	#45 Structural Carbon Steel
Finish	Hot Dip Galvanized
Approximate Weight	8,2 kg 10,5 kg

BASIC INFORMATION	
Part Number	A21147-XXX
Description	Screw Anchor
Lengths (-063 -080)	63 inches 80 inches
Auger Outside Diameter	76mm
Attachment Hardware	3X M16 Set Screws
Material	#45 Structural Carbon Steel
Finish	Hot Dip Galvanized
Approximate Weight	8,2 kg 10,5 kg





TYPICAL DETAIL



A21146-XXX

A21147-XXX