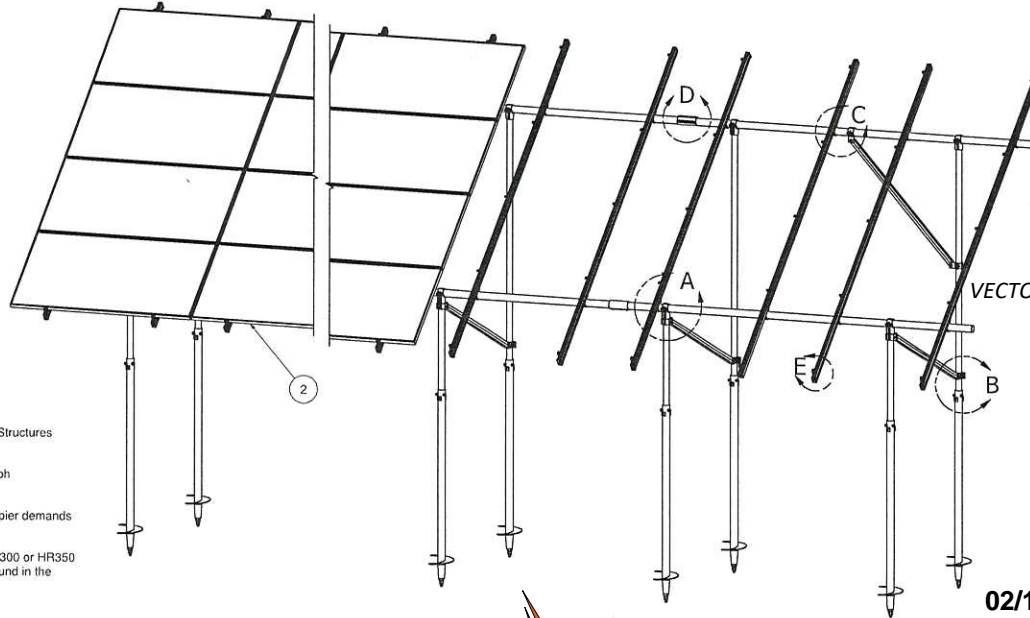


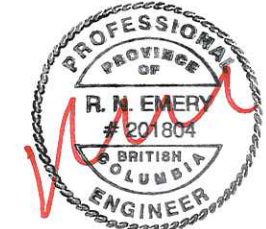
NOTES: UNLESS OTHERWISE SPECIFIED

- THIS DRAWING IS NOT FOR CONSTRUCTION UNTIL ENGINEERING HAS REVIEWED AND STAMPED THIS DOCUMENT.
- DIMENSIONS SHOWN ARE INCHES[MM].
- 304 STAINLESS STEEL HARDWARE. ALL OTHER PARTS ARE 6005-T5 AL WITH ANODIZING. PIPE MATERIAL FOR THE TYPE OF PROJECT: GROUND MOUNT = STEEL SB = ALUMINUM
- 4LXN-40DEG-AGM-BC.
- 1 OF 1 ARRAY TYPE.
- 1 ARRAY TOTAL.
- THE MAXIMUM PERMISSIBLE LENGTH OF ANY STRUCTURE SHALL BE 200 FT. FOR SYSTEMS USING A SHARED RAIL CONFIGURATION, A THERMAL BREAK IS REQUIRED IN THE RAIL EVERY 40 FT. PER THE DRAWING DETAILS.
- APPROVED RAIL PROFILES  
A20144-HR250  
A20288-HR300  
A20145-HR350



**STRUCTURAL ONLY**

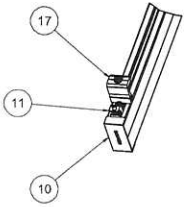
VECTOR PROJECT #: U2716-072-181



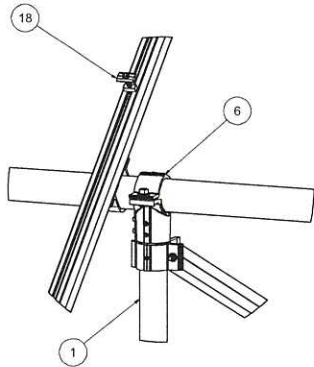
**DESIGN CRITERIA:**  
British Columbia Building Code 2018  
Minimum Design Loads for Buildings and Other Structures (ASCE 7-10)  
Ground snow load: 68.9 psf (3.3 kPa)  
Wind speed for risk category I structures: 105 mph  
Wind Exposure: C

For part drawings and ground screw and helical pier demands see letter dated: February 14, 2019

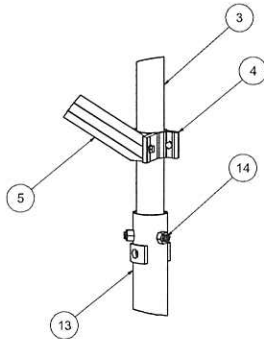
The HR250 rails may be replaced with either HR300 or HR350 rails. The part drawings for these rails can be found in the structural letter dated 02/14/2019



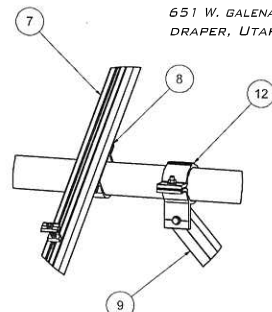
DETAIL E



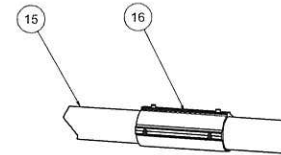
DETAIL A



DETAIL B



DETAIL C



DETAIL D



651 W. GALENA PARK BLVD. STE. 101 DRAPER, UTAH 84020 PHONE (801) 990-1775 WWW.VECTORSE.COM

02/15/2019

ITEM	PART NUMBER	DESCRIPTION	QTY
18	K10180-001	GROUNDING MID-CLAMP KIT WITH T COLLAR BOLT AND GROUNDING BASE	
17	K10224-140	END CLAMP KIT WITH COLLAR	
16	K10342-001	2.5" PIPE SPLICE KIT	
15	A21023-151	2.5" STEEL PIPE, L=151	
14	B10055-001	CONE-POINT SET SCREW M16X25	
13	A21146-080	ANCHOR, 10" HELIX BLADE AUGER	
12	K10222-001	2.5 PIPE CLAMP KIT	
11	K10179-001	SELF-GROUNDING LUG KIT	
10	A20284-001	END CAP, HR250, GRAY	
9	A20164-066	1.5X2 AL TUBE BRACE, L=66	
8	K10343-001	2.5" AL PIPE U-CLAMP KIT	
7	A20144-166	RAIL, HR250(HELIO STANDARD), L=166	
6	K10341-001	2.5" PIPE TEE KIT	
5	A20164-076	1.5X2 AL TUBE BRACE, L=76	
4	K10219-001	2" PIPE CLAMP KIT	
3	A21022-112	2" STEEL PIPE, L=112	
2		PANEL: 1956X992X40mm	
1	A21022-049	2" STEEL PIPE, L=49	

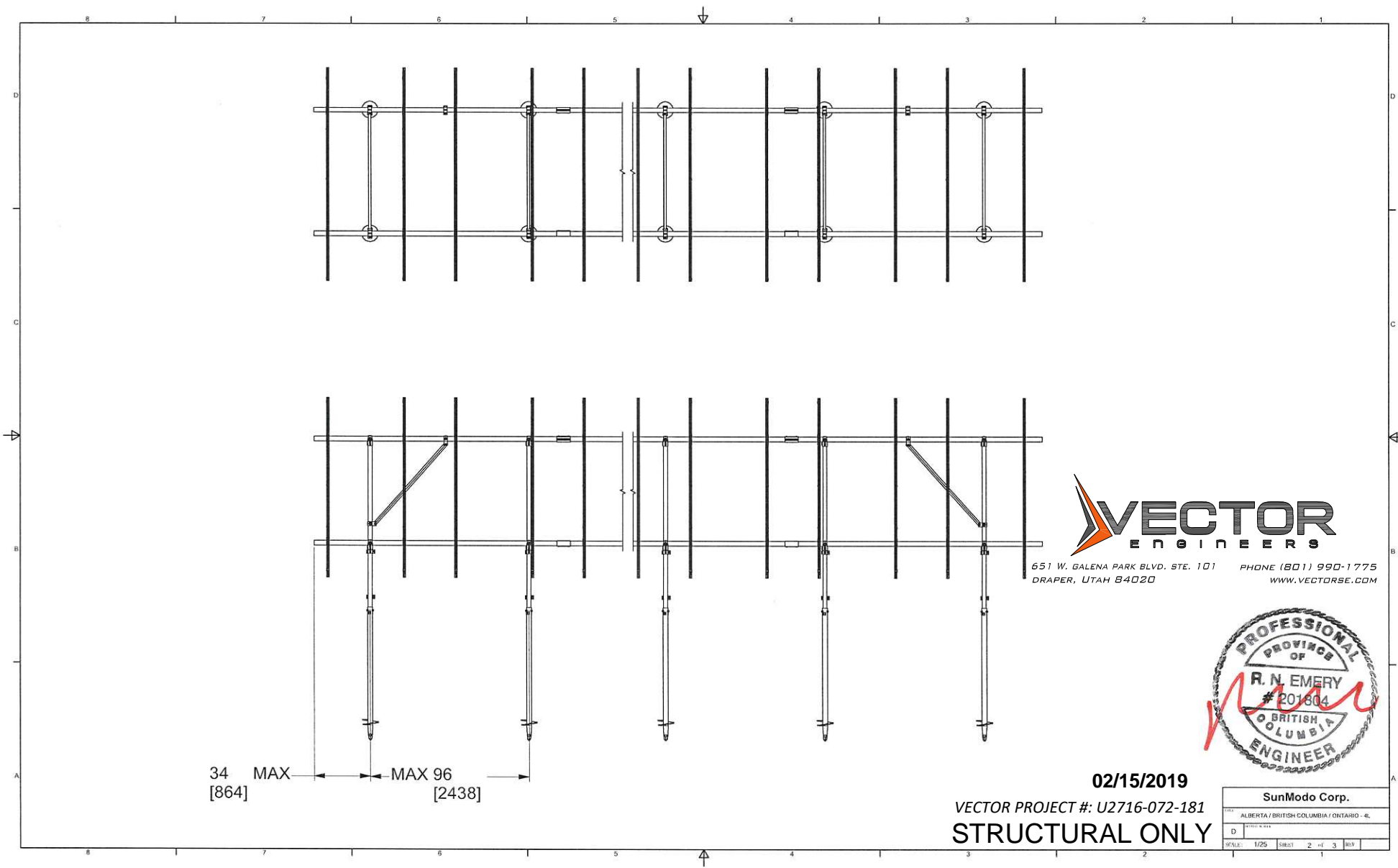
**SunModo Corp.**

14800 NE 65TH STREET, VANCOUVER WA 98682

ALBERTA / BRITISH COLUMBIA / ONTARIO - 4L

D

SCALE: 1/23 SHEET 1 of 3



34 MAX [864]      MAX 96 [2438]



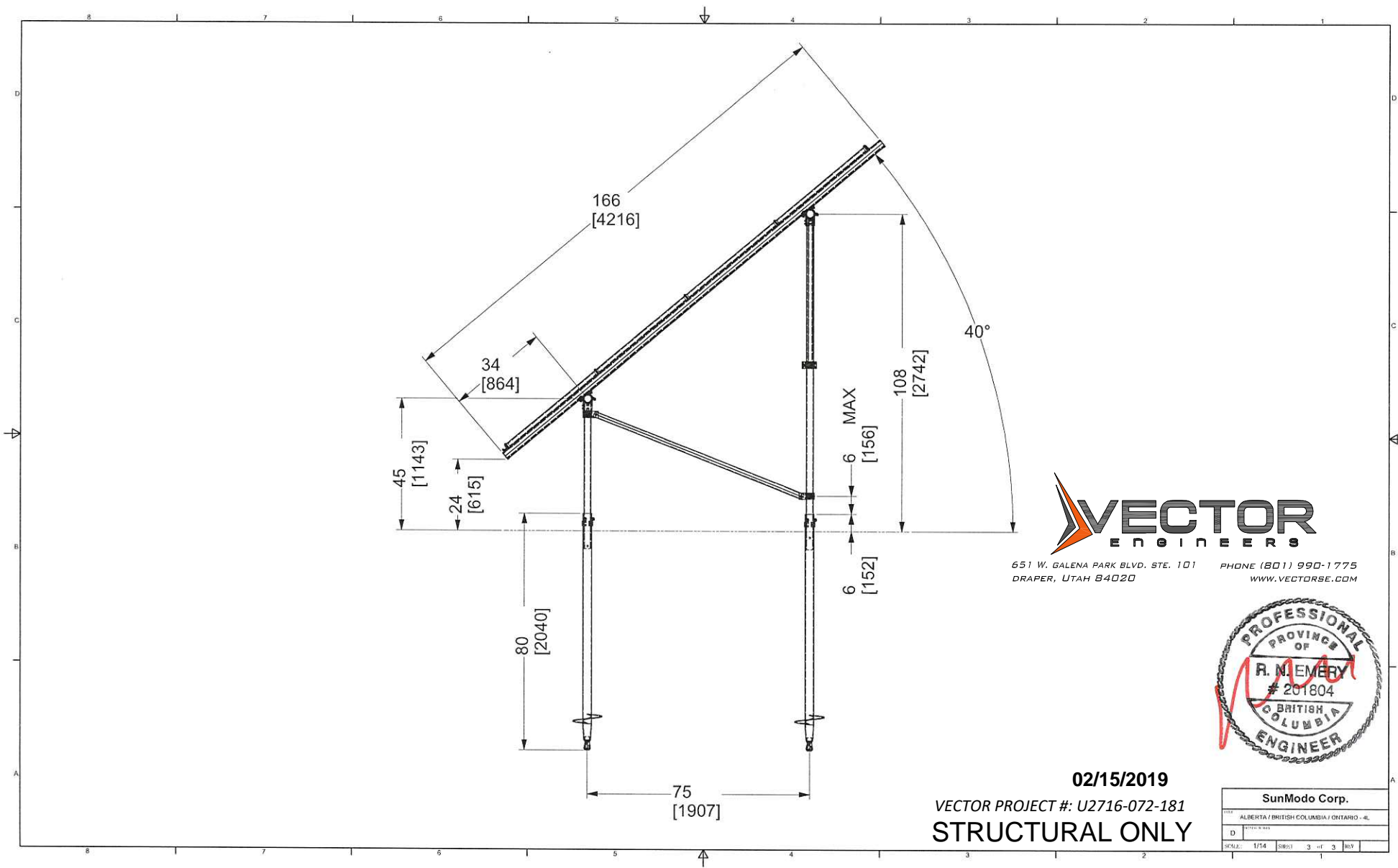
651 W. GALENA PARK BLVD. STE. 101      PHONE (801) 990-1775  
 DRAPER, UTAH 84020      WWW.VECTORSE.COM



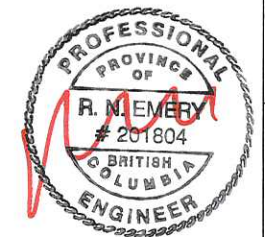
02/15/2019

VECTOR PROJECT #: U2716-072-181  
**STRUCTURAL ONLY**

SunModo Corp.			
ALBERTA / BRITISH COLUMBIA / ONTARIO - 4L			
D			
SCALE: 1/25	SHEET 2	OF 3	REV



651 W. GALENA PARK BLVD. STE. 101 DRAPER, UTAH 84020  
 PHONE (801) 990-1775  
 WWW.VECTORSE.COM



02/15/2019

VECTOR PROJECT #: U2716-072-181  
**STRUCTURAL ONLY**

SunModo Corp.			
ALBERTA / BRITISH COLUMBIA / ONTARIO - 4L			
D			
SCALE: 1/4"	SHEET: 3	OF: 3	REV: