

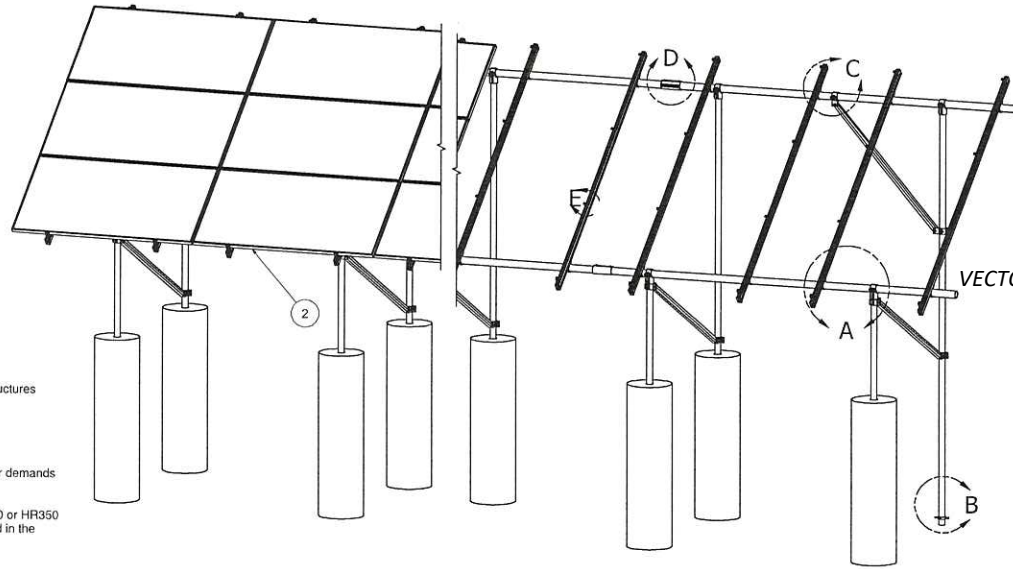
NOTES: UNLESS OTHERWISE SPECIFIED

1. THIS DRAWING IS NOT FOR CONSTRUCTION UNTIL ENGINEERING HAS REVIEWED AND STAMPED THIS DOCUMENT.
2. DIMENSIONS SHOWN ARE INCHES[MM].
3. 304 STAINLESS STEEL HARDWARE. ALL OTHER PARTS ARE 6005-T5 AL WITH ANODIZING. PIPE MATERIAL FOR THE TYPE OF PROJECT: GROUND MOUNT = STEEL SB = ALUMINUM
4. 3LXN-40DEG-PGM-BC.
5. 1 OF 1 ARRAY TYPE.
6. 1 ARRAY TOTAL.
7. THE MAXIMUM PERMISSIBLE LENGTH OF ANY STRUCTURE SHALL BE 200 FT. FOR SYSTEMS USING A SHARED RAIL CONFIGURATION, A THERMAL BREAK IS REQUIRED IN THE RAIL EVERY 40 FT. PER THE DRAWING DETAILS.
8. APPROVED RAIL PROFILES
A20144-HR250
A20288-HR300
A20145-HR350

DESIGN CRITERIA:
British Columbia Building Code 2018
Minimum Design Loads for Buildings and Other Structures (ASCE 7-10)
Ground snow load: 68.9 psf (3.3 kPa)
Wind speed for risk category I structures: 105 mph
Wind Exposure: C

For part drawings and ground screw and helical pier demands see letter dated: February 14, 2019

The HR250 rails may be replaced with either HR300 or HR350 rails. The part drawings for these rails can be found in the structural letter dated 02/14/2019



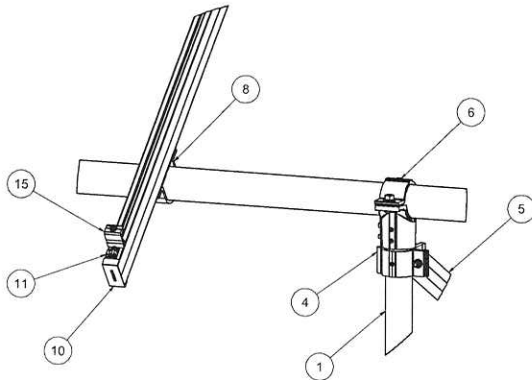
STRUCTURAL ONLY

VECTOR PROJECT #: U2716-072-181

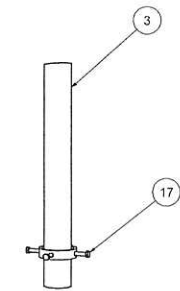


02/15/2019

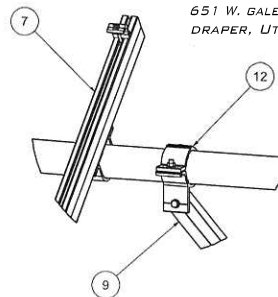
DETAIL E



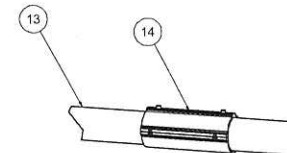
DETAIL A



DETAIL B



DETAIL C



DETAIL D

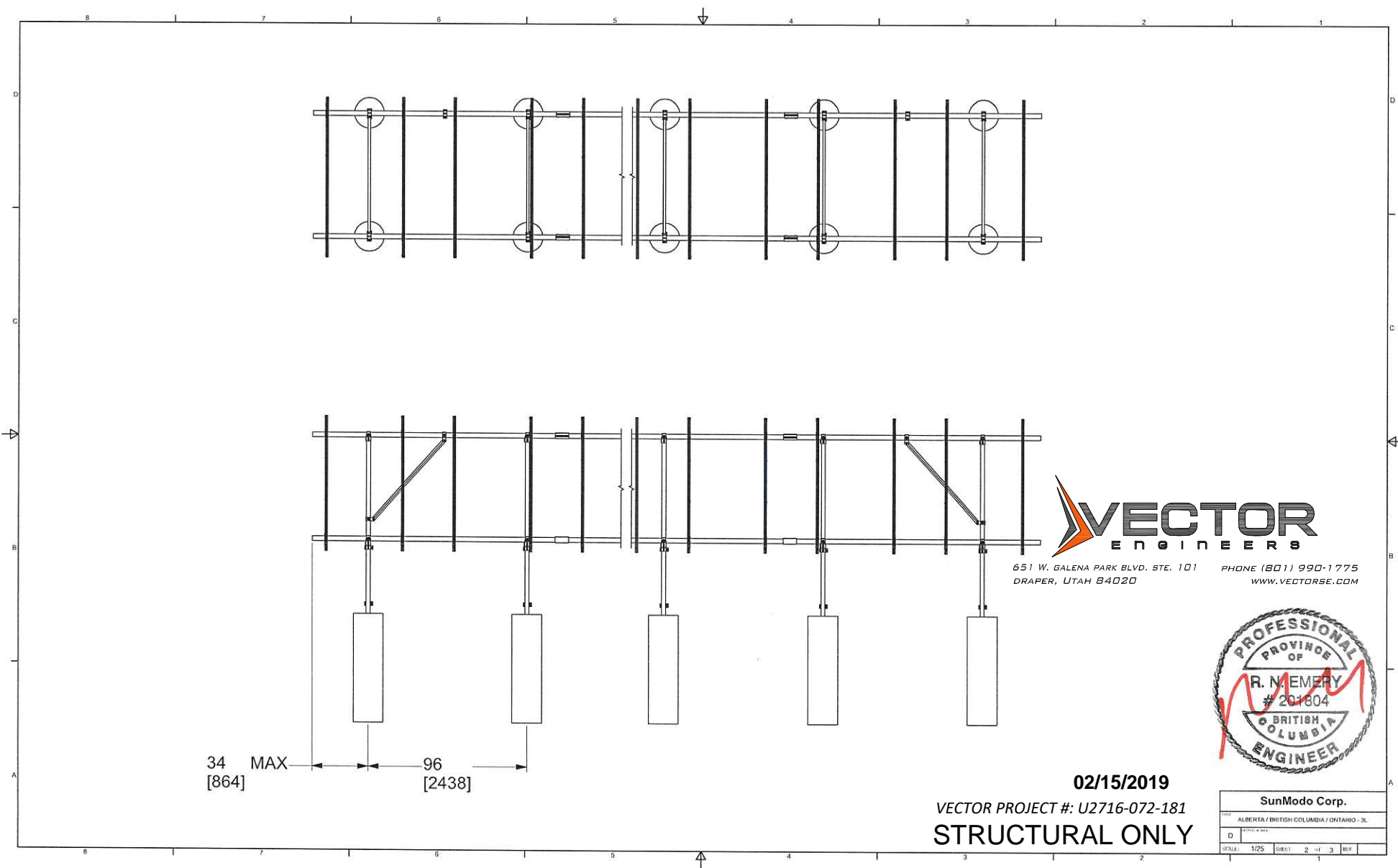


651 W. GALENA PARK BLVD. STE. 101 DRAPER, UTAH 84020 PHONE (801) 990-1775 WWW.VECTORSE.COM

ITEM	PART NUMBER	DESCRIPTION	QTY
17	K10186-001	EMBEDDED 2.0" PIPE CLAMP KIT	
16	K10180-001	GROUNDING MID-CLAMP KIT WITH T COLLAR BOLT AND GROUNDING BASE	
15	K10224-140	END CLAMP KIT WITH COLLAR	
14	K10342-001	2.5" PIPE SPLICE KIT	
13	A21023-151	2.5" STEEL PIPE, L=151	
12	K10222-001	2.5" PIPE CLAMP KIT	
11	K10179-001	SELF-GROUNDING LUG KIT	
10	A20284-001	END CAP, HR250, GRAY	
9	A20164-066	1.5X2 AL TUBE BRACE, L=66	
8	K10343-001	2.5" AL PIPE U-CLAMP KIT	
7	A20144-124	RAIL, HR250(HELIO STANDARD), L=124	
6	K10341-001	2.5" PIPE TEE KIT	
5	A20164-079	1.5X2 AL TUBE BRACE, L=78.5	
4	K10219-001	2" PIPE CLAMP KIT	
3	A21022-169	2" STEEL PIPE, L=169	
2		PANEL: 1956X992X40mm	
1	A21022-107	2" STEEL PIPE, L=107	

SunModo Corp. 14800 NE 65TH STREET, VANCOUVER WA 98642	
ALBERTA / BRITISH COLUMBIA / ONTARIO - 3L	
SCALE: 1/23 SHEET 1 of 3	

THIS DRAWING IS THE PROPERTY OF VECTOR ENGINEERS. IT IS TO BE USED ONLY FOR THE PROJECT AND SITE SPECIFICALLY IDENTIFIED HEREON. IT IS NOT TO BE REPRODUCED OR TRANSMITTED IN ANY FORM OR BY ANY MEANS, ELECTRONIC OR MECHANICAL, INCLUDING PHOTOCOPYING, RECORDING, OR BY ANY INFORMATION STORAGE AND RETRIEVAL SYSTEM, WITHOUT THE WRITTEN PERMISSION OF VECTOR ENGINEERS.



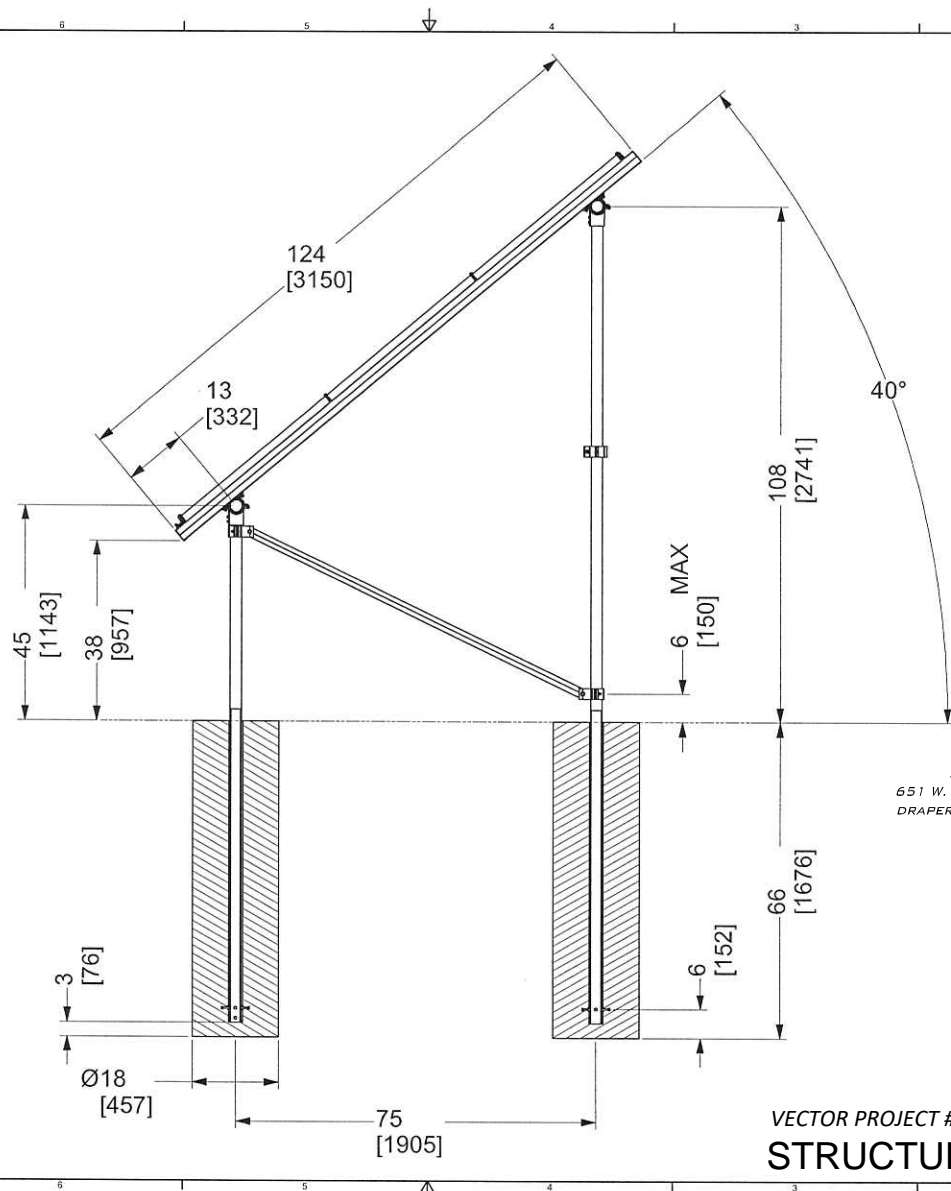
651 W. GALENA PARK BLVD. STE. 101 PHONE (801) 990-1775
 DRAPER, UTAH 84020 WWW.VECTORSE.COM



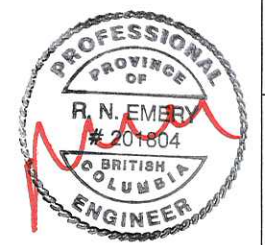
34 MAX [864] 96 [2438]

02/15/2019
 VECTOR PROJECT #: U2716-072-181
STRUCTURAL ONLY

SunModo Corp.			
ALBERTA / BRITISH COLUMBIA / ONTARIO - 3L			
D			
SCALE	1/25	SHEET	2 of 3
		REV	



651 W. GALENA PARK BLVD. STE. 101 DRAPER, UTAH 84020
 PHONE (801) 990-1775
 WWW.VECTORSE.COM



02/15/2019

VECTOR PROJECT #: U2716-072-181
STRUCTURAL ONLY

SunModo Corp.			
ALBERTA / BRITISH COLUMBIA / ONTARIO - 3L			
D			
SCALE: 1/12	SHEET: 3	OF: 3	REV: 0