

NOTES: UNLESS OTHERWISE SPECIFIED

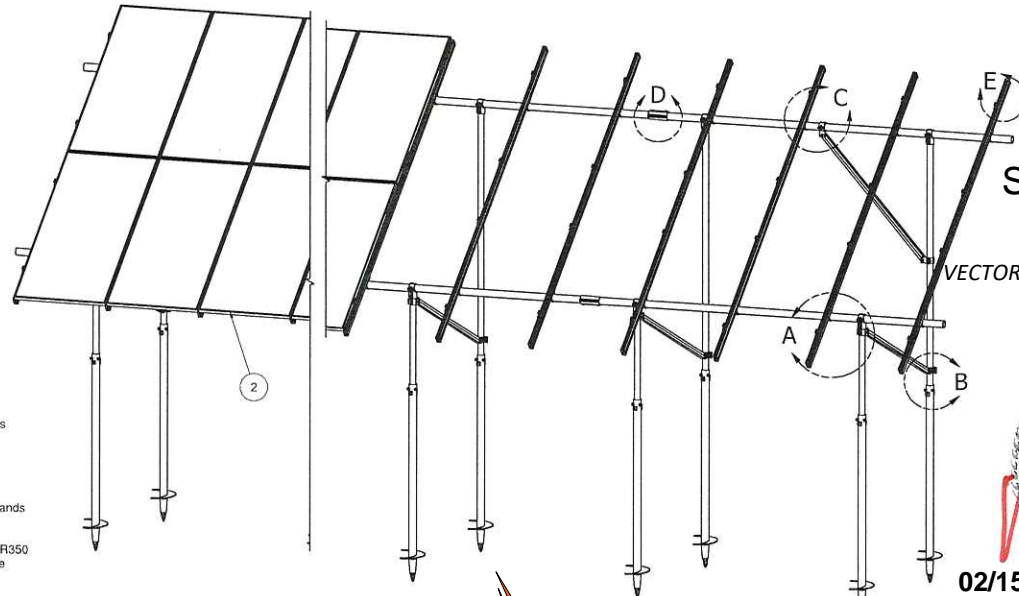
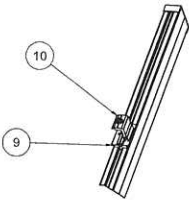
1. THIS DRAWING IS NOT FOR CONSTRUCTION UNTIL ENGINEERING HAS REVIEWED AND STAMPED THIS DOCUMENT.
2. DIMENSIONS SHOWN ARE INCHES[MM].
3. 304 STAINLESS STEEL HARDWARE. ALL OTHER PARTS ARE 6005-T5 AL WITH ANODIZING. PIPE MATERIAL FOR THE TYPE OF PROJECT: GROUND MOUNT = STEEL SB = ALUMINUM
4. 2PXN-40DEG-AGM-BC.
5. 1 OF 1 ARRAY TYPE.
6. 1 ARRAY TOTAL.
7. THE MAXIMUM PERMISSIBLE LENGTH OF ANY STRUCTURE SHALL BE 200 FT. FOR SYSTEMS USING A SHARED RAIL CONFIGURATION, A THERMAL BREAK IS REQUIRED IN THE RAIL EVERY 40 FT. PER THE DRAWING DETAILS.

8. APPROVED RAIL PROFILES
A20144-HR250
A20288-HR300
A20145-HR350

DESIGN CRITERIA:
British Columbia Building Code 2018
Minimum Design Loads for Buildings and Other Structures (ASCE 7-10)
Ground snow load: 68.9 psf (3.3 kPa)
Wind speed for risk category I structures: 105 mph
Wind Exposure: C

For part drawings and ground screw and helical pier demands see letter dated: February 14, 2019

The HR250 rails may be replaced with either HR300 or HR350 rails. The part drawings for these rails can be found in the structural letter dated 02/14/2019



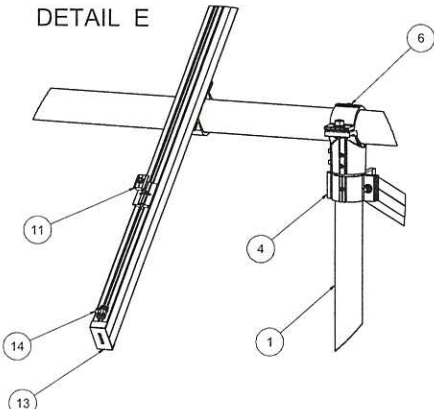
STRUCTURAL ONLY

VECTOR PROJECT #: U2716-072-181

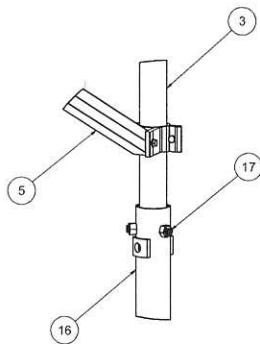


651 W. GALENA PARK BLVD. STE. 101 PHONE (801) 990-1775
DRAPER, UTAH 84020 WWW.VECTORSE.COM

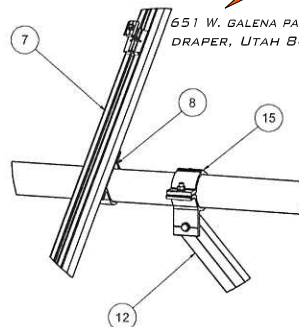
DETAIL E



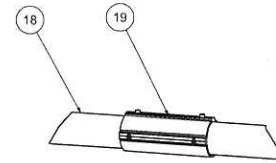
DETAIL A



DETAIL B



DETAIL C



DETAIL D

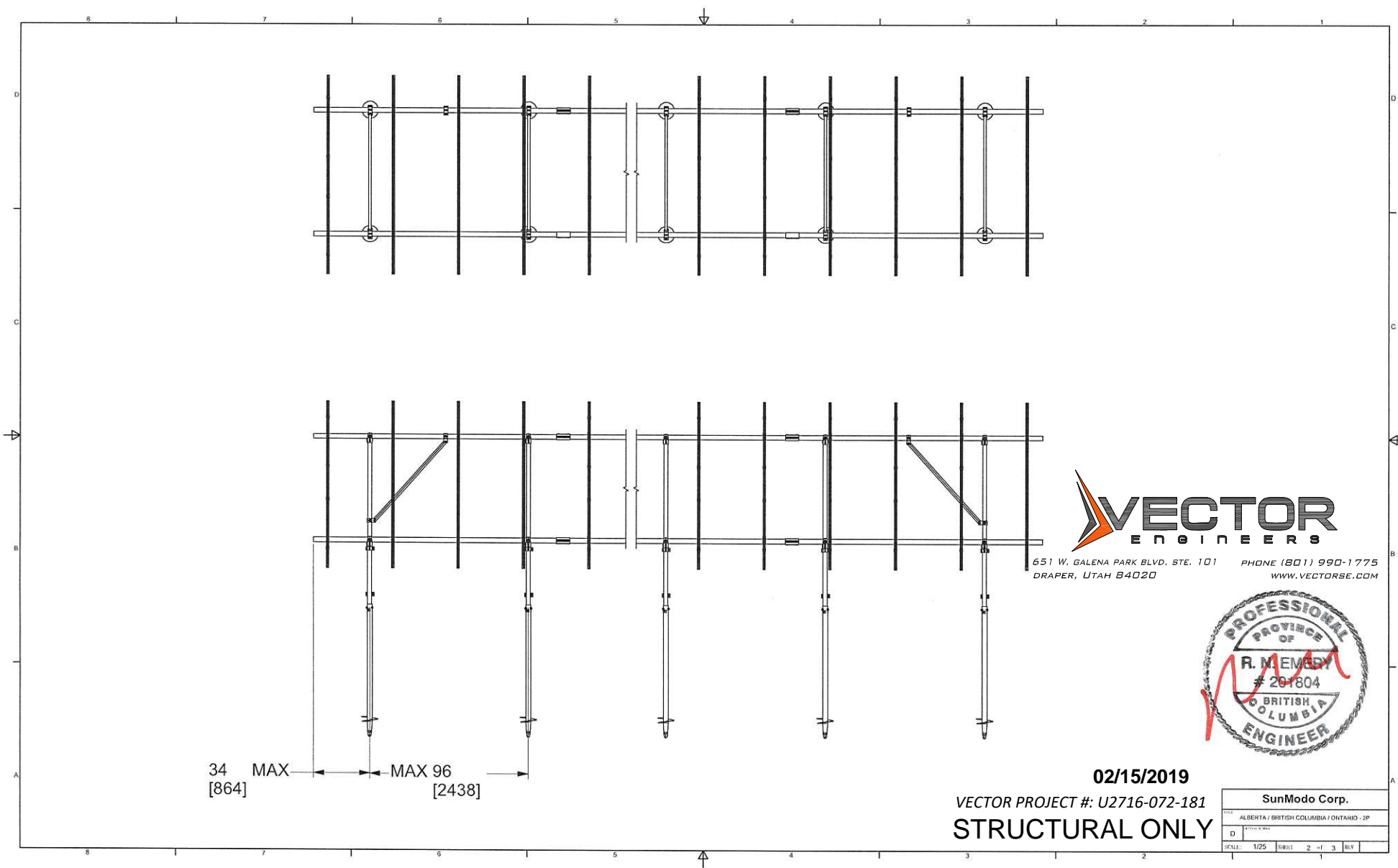
ITEM	PART NUMBER	DESCRIPTION	QTY
19	K10342-001	2.5" PIPE SPLICE KIT	
18	A21023-151	2.5" STEEL PIPE, L=151	
17	B10055-001	CONE-POINT SET SCREW M16X25	
16	A21146-080	ANCHOR, 10" HELIX BLADE AUGER	
15	K10222-001	2.5" PIPE CLAMP KIT	
14	K10179-001	SELF-GROUNDING LUG KIT	
13	A20284-001	END CAP, HR250, GRAY	
12	A20164-066	1.5X2 AL TUBE BRACE, L=66	
11	K10182-001	LANDSCAPE GROUNDING MID CLAMP KIT	
10	K10224-140	END CLAMP KIT WITH COLLAR	
9	K10176-001	LANDSCAPE GROUNDING ADAPTOR	
8	K10343-001	2.5" AL PIPE U-CLAMP KIT	
7	A20144-154	RAIL, HR250(HELIO STANDARD), L=154	
6	K10341-001	2.5" PIPE TEE KIT	
5	A20164-076	1.5X2 AL TUBE BRACE, L=76	
4	K10219-001	2" PIPE CLAMP KIT	
3	A21022-112	2" STEEL PIPE, L=112	
2		PANEL: 1956X992X40mm	
1	A21022-049	2" STEEL PIPE, L=49	

SunModo Corp.

14800 NE 65TH STREET, VANCOUVER WA 98682

ALBERTA / BRITISH COLUMBIA / ONTARIO - 2P

SCALE: 1/23 SHEET 1 of 3



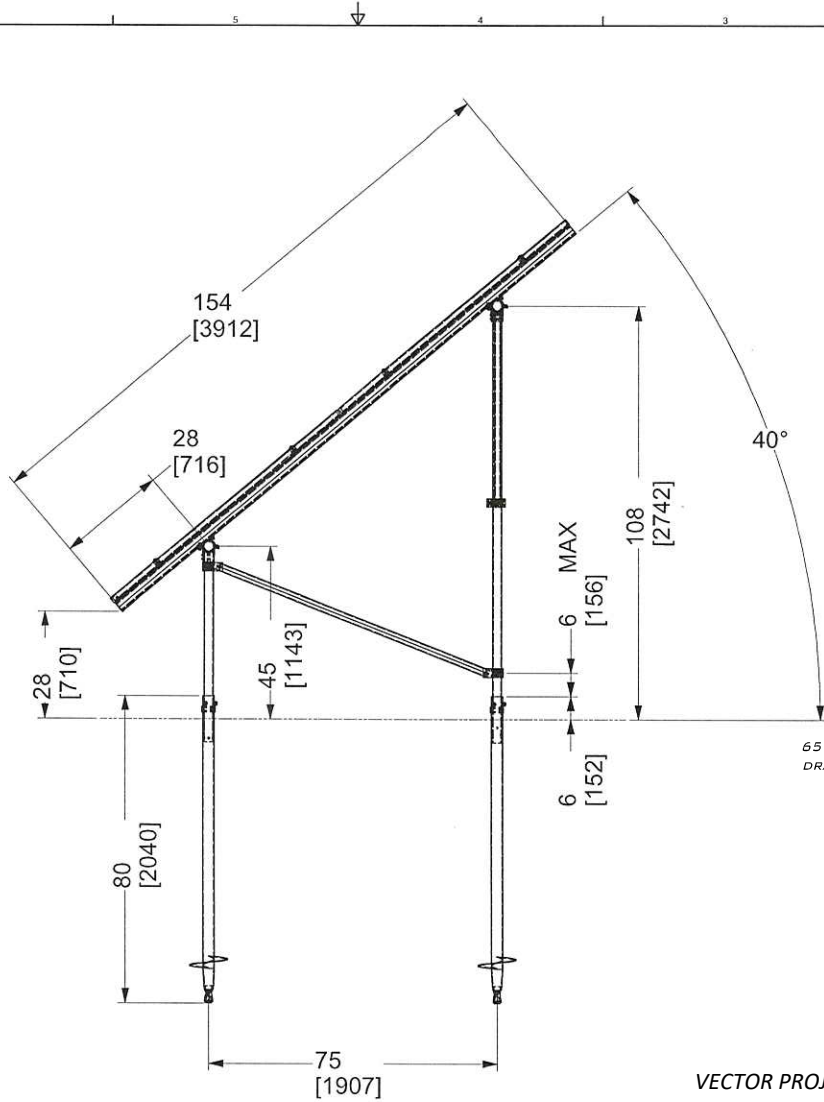
651 W. GALENA PARK BLVD. STE. 101 PHONE (801) 990-1775
 DRAPER, UTAH 84020 WWW.VECTORSE.COM



02/15/2019

VECTOR PROJECT #: U2716-072-181
STRUCTURAL ONLY

SunModo Corp.			
ALBERTA / BRITISH COLUMBIA / ONTARIO - 2P			
D			
SCALE: 1/25	CHECK: 2	DATE: 3	REV: 1



651 W. GALENA PARK BLVD. STE. 101 PHONE (801) 990-1775
 DRAPER, UTAH 84020 WWW.VECTORSE.COM



02/15/2019

VECTOR PROJECT #: U2716-072-181
STRUCTURAL ONLY

SunModo Corp.			
ALBERTA / BRITISH COLUMBIA / ONTARIO - 2P			
D			
SCALE: 1/15	SHEET: 3	OF: 3	REV: