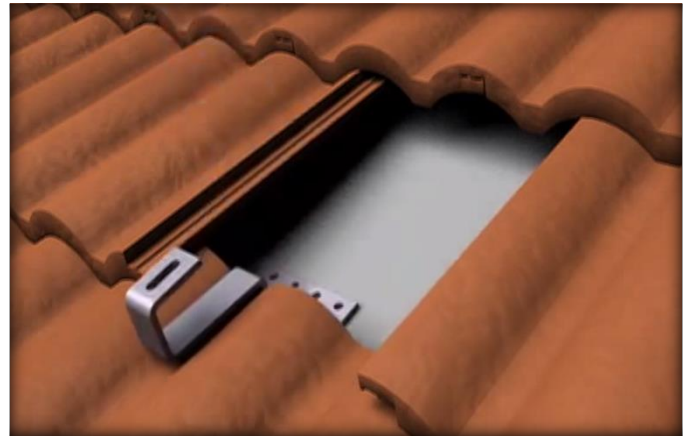




## EZ Tile Hook Mount



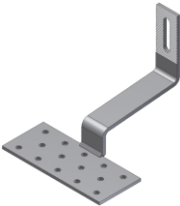

SunModo's EZ Tile Hook Mount product line allowing mounting of solar PV systems on most tile roofs. We offer 4 choices of hook for vertical rail orientations and 4 hooks for flat mounting of strut type rails. The hooks provide a nominal 110 pound load and uplift capability when mounted into roof trusses with two 1/4 x 3-1/2 inch long Roofing Screw (included).



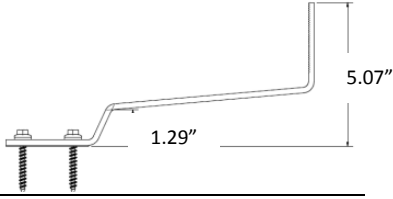
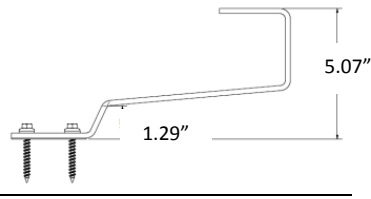
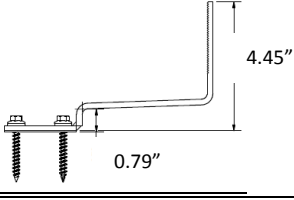
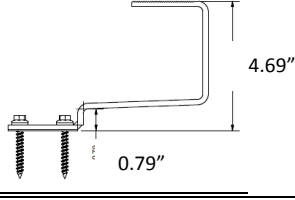
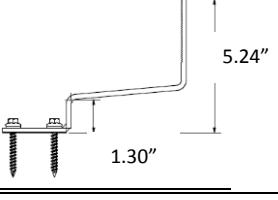
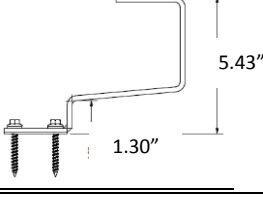
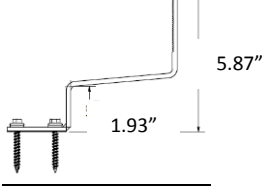
### Key Features and Benefits:

- The EZ Tile Hook Mounts accommodate a variety of tile heights.
- Multi-screw mounting plate allows hook to be positioned to bolt onto roof truss.
- All Hooks supplied with two 1/4 x 3-1/2 inch long stainless steel Roofing Screws with Sealing Washers for maximum strength mounting and protection.
- All Hooks have an attached EPDM Hook Base Gasket between hook and roof surface.
- Side-rail mounting and top to bottom of strut channel mounting versions allow maximum flexibility.
- Heavy duty one-piece stainless steel design provides strong support for PV systems; tested to 122 lbs. uplift and 130 lbs. load capability (by independent test lab on K10169).

# EZ Tile Hooks Mounts

<p><b>Flat Roof Tile Strap Hook:</b></p>	 <p>Side rail mount used on flat tiles, slate, and special shingle roofs.</p>	 <p>Bottom strut mount used on flat tiles, slate, and special shingle roofs.</p>
<p><b>Multi-screw Rail Mount Tile Hooks:</b></p>	 <p>Side rail mounts: Available in 3 heights used on most elevated corrugated and Spanish tile roofs.</p>	 <p>Bottom strut mounts: Available in 3 heights used on most elevated corrugated and Spanish tile roofs.</p>

## Key Dimensions

<p><b>K10168</b></p> 	<p><b>K10167</b></p> 
<p><b>K10174</b></p> 	<p><b>K10173</b></p> 
<p><b>K10170</b></p> 	<p><b>K10169</b></p> 
<p><b>K10172</b></p> 	<p><b>K10171</b></p> 