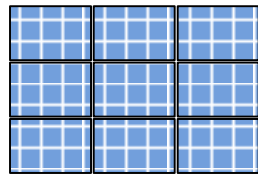


Landscape Array Options

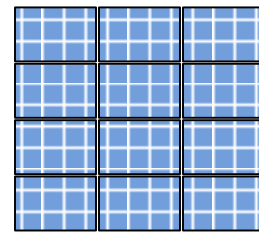
Tilt 20-40 deg
Level Ground



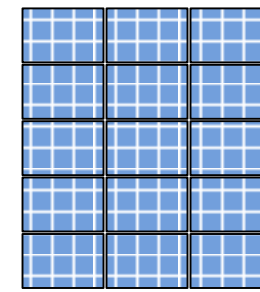
2 L



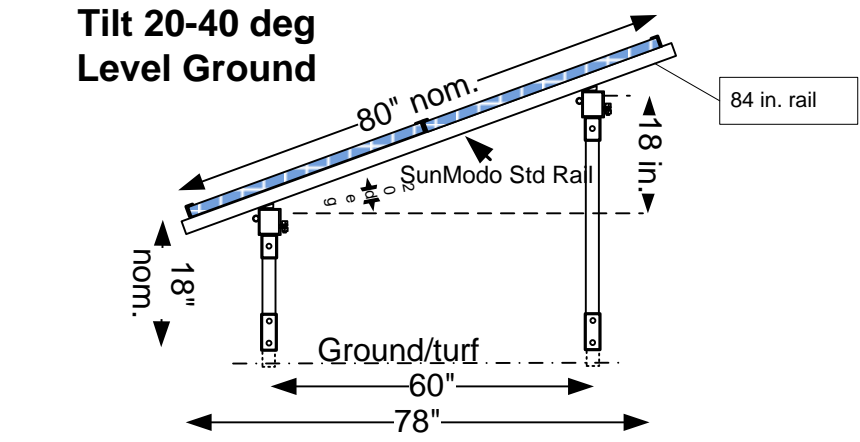
3 L



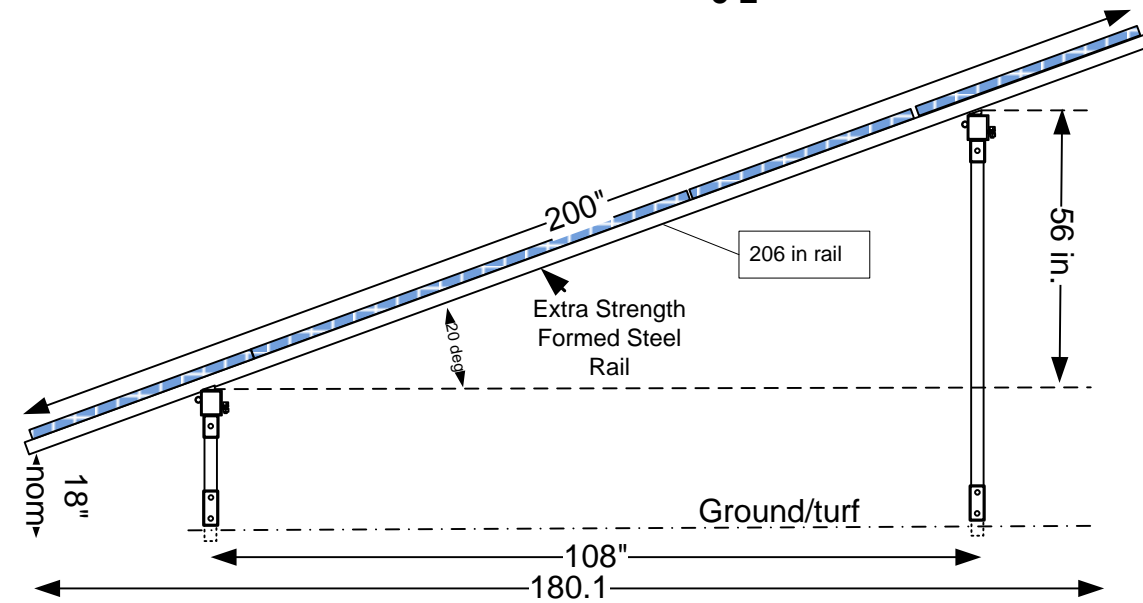
4 L



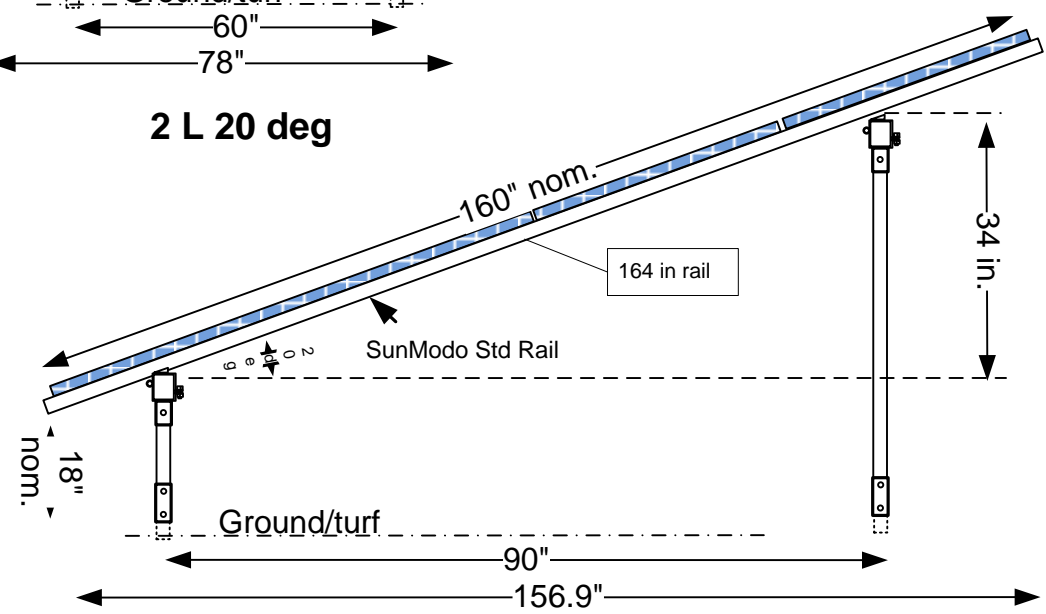
5 L



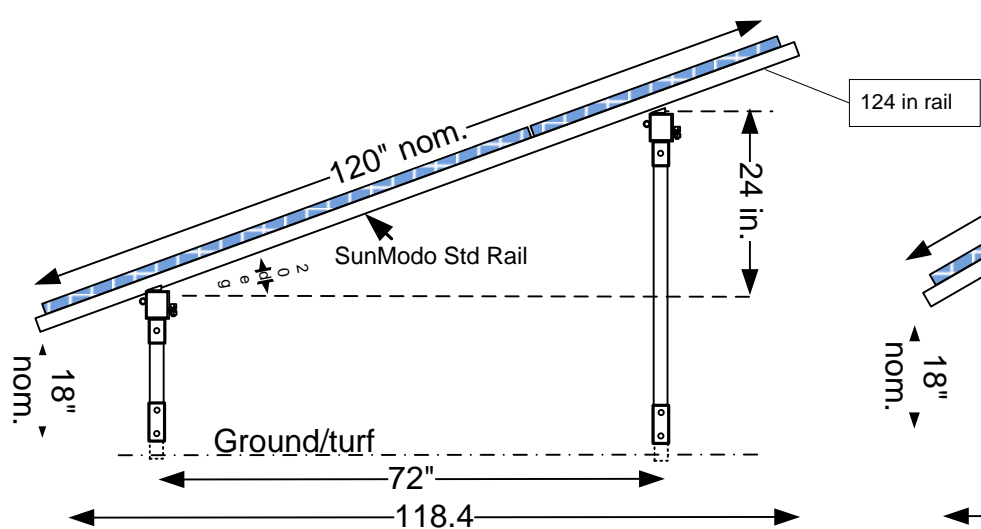
2 L 20 deg



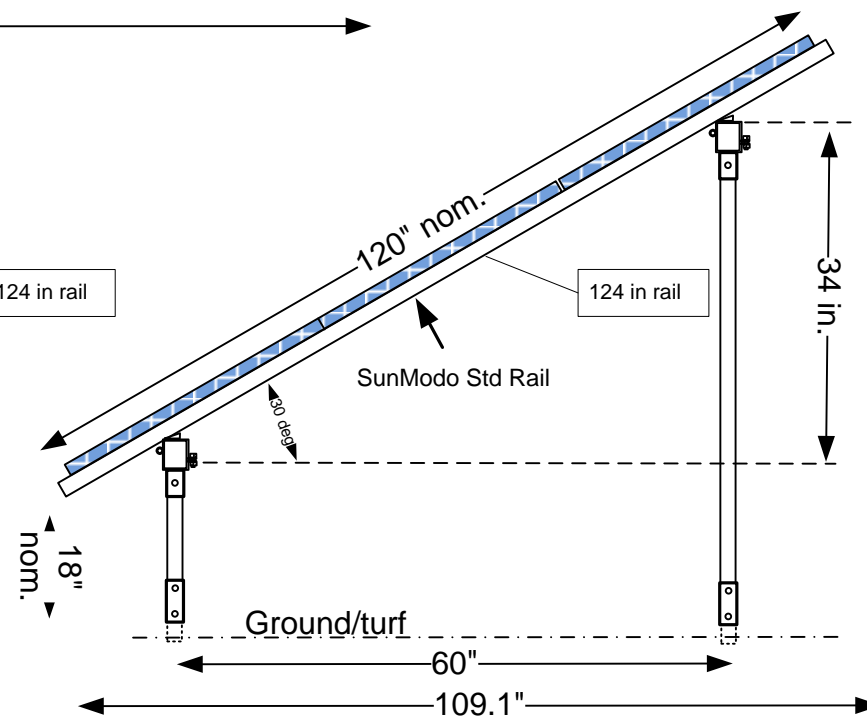
5 L 20 deg



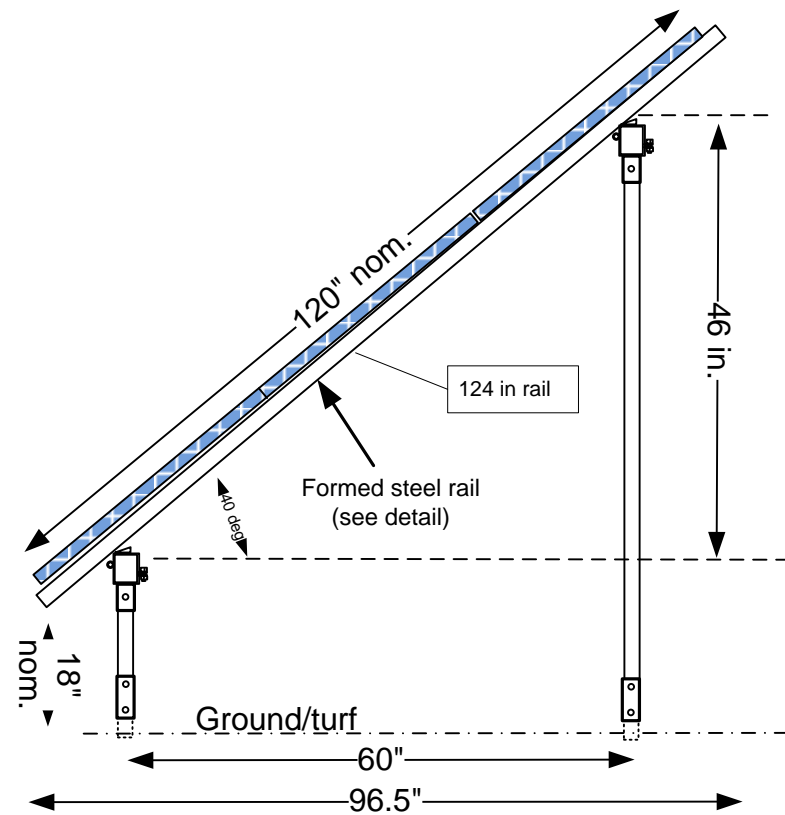
4 L 20 deg



3 L 20 deg



3 L 30 deg



3 L 40 deg

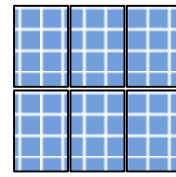
Ground Mount Landscape Arrays

N.A

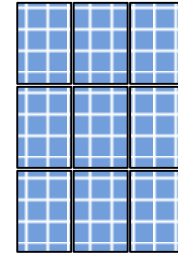
Drawing Name:	Customer Name:
Date:	Nov 29, 2012
Revisions:	
Engineered By:	Cliff S.
Drawn By:	
Checked By:	
Approved By:	
Drawing #	1 of 3

Portrait Array Options

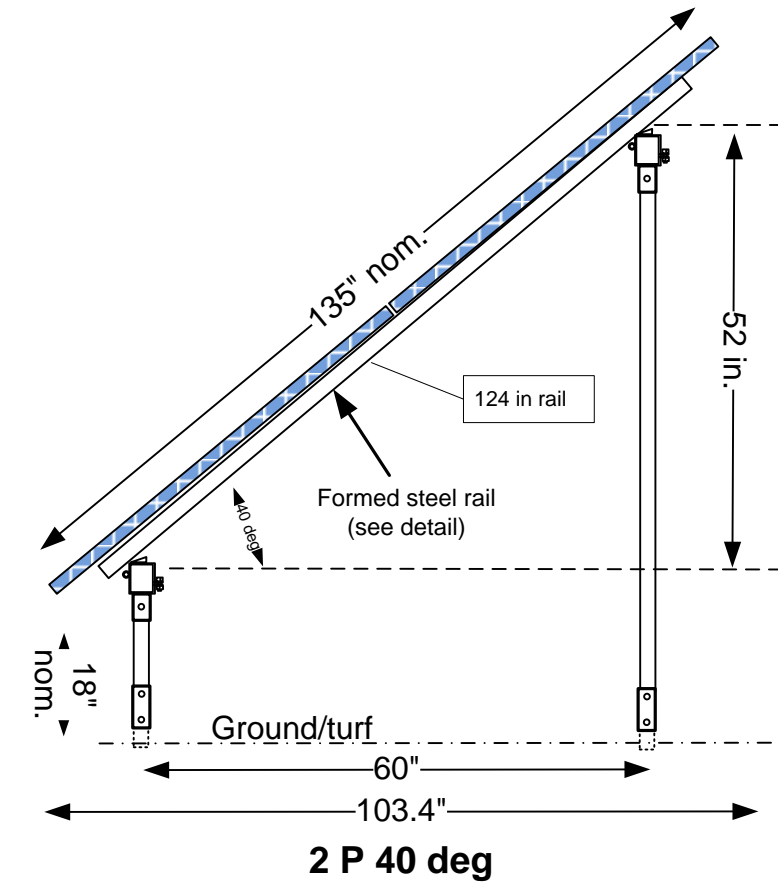
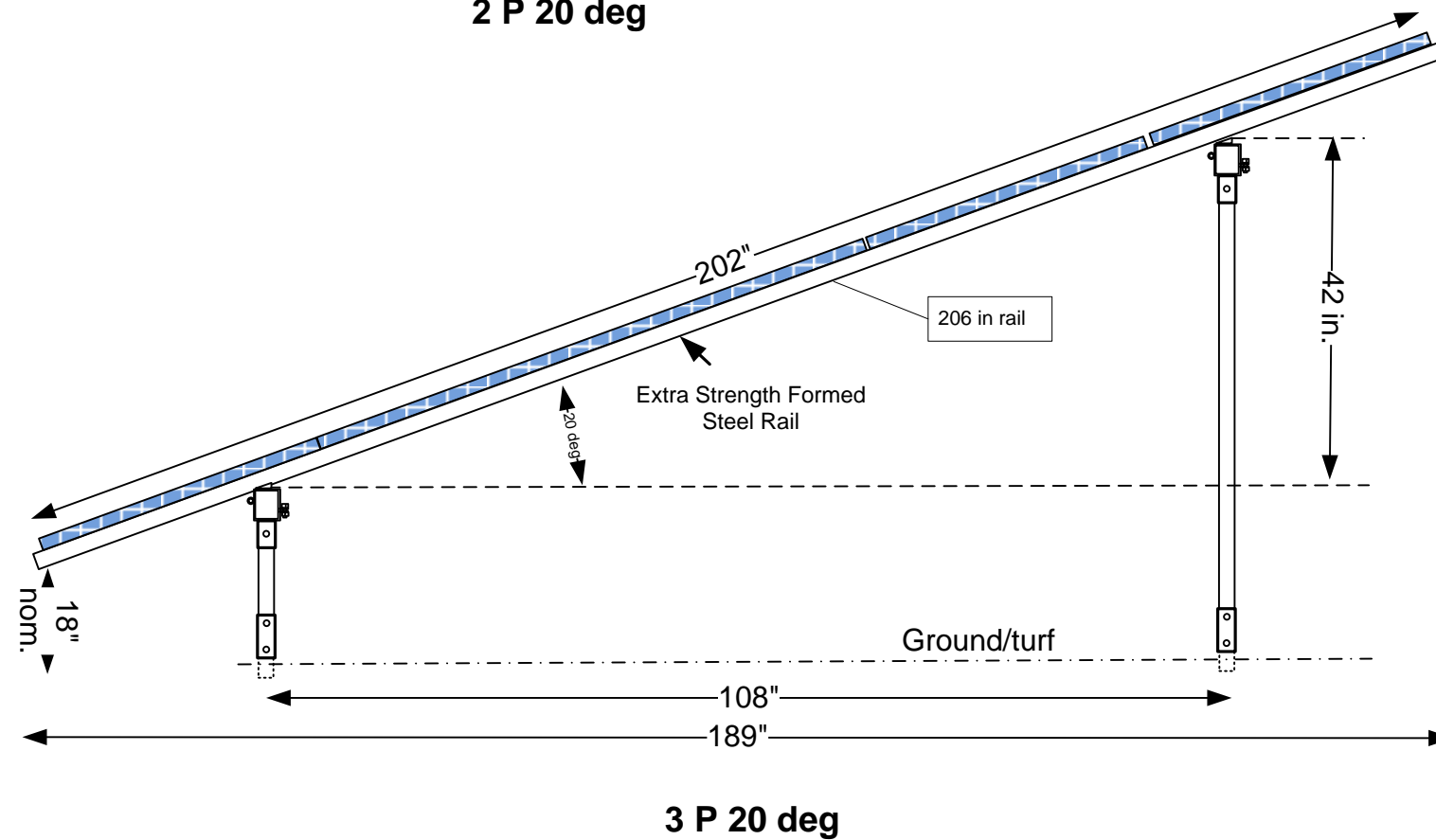
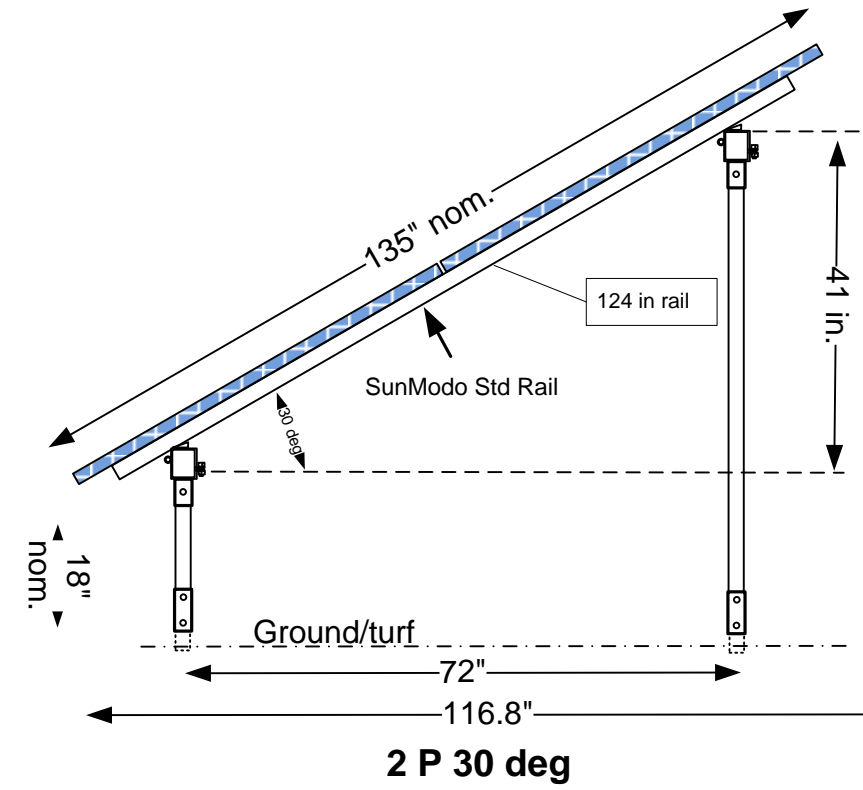
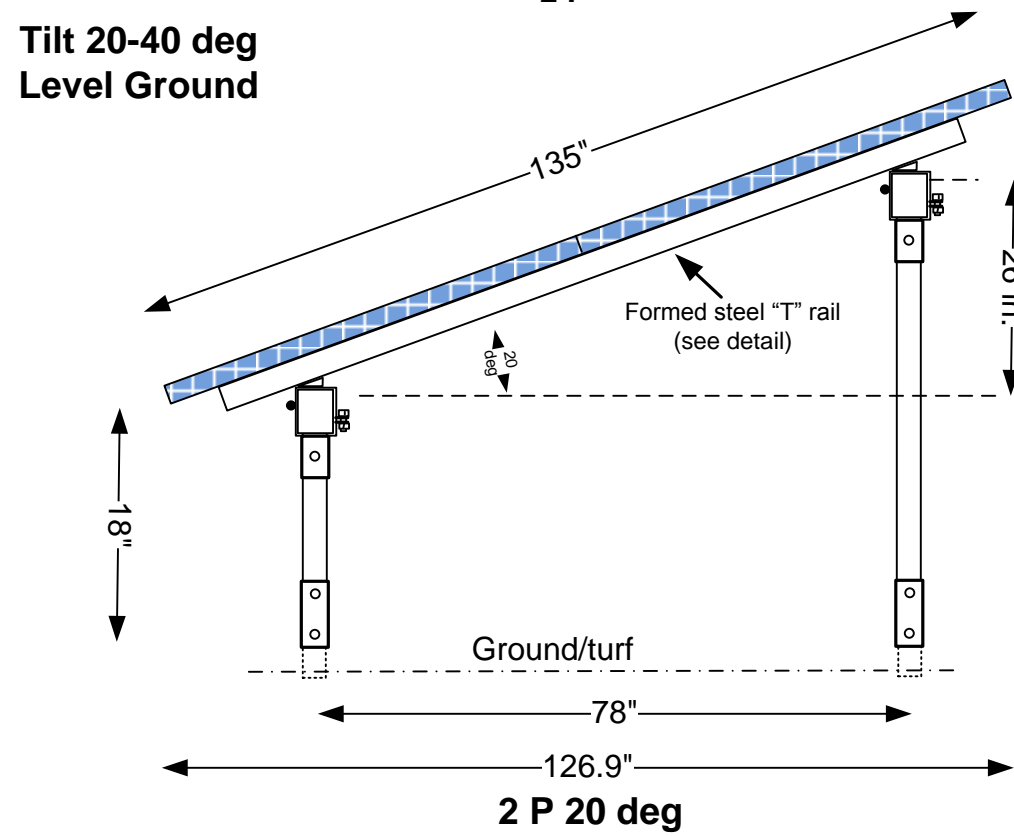
Tilt 20-40 deg
Level Ground



2 P



3 P



Ground Mount Portrait Arrays

N.A

Drawing Name:

Customer Name:

Date:

Aug 16, 2012

Revisions:

Cliff S.

Engineered By:

Drawn By:

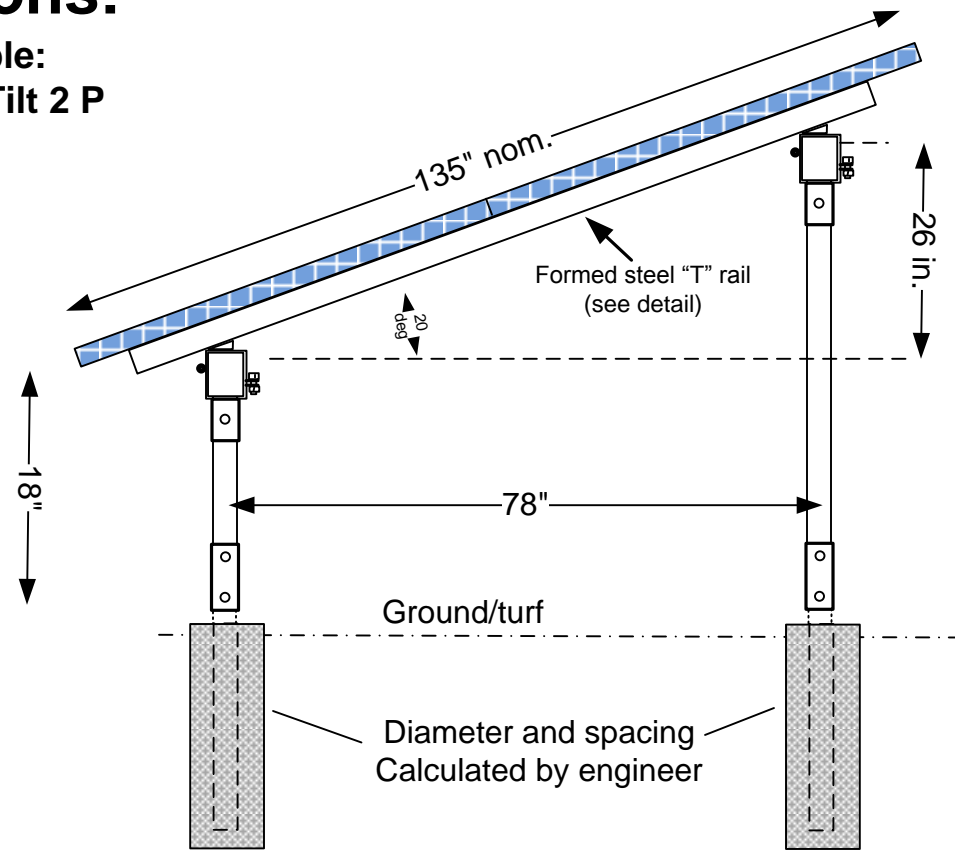
Checked By:

Approved By:

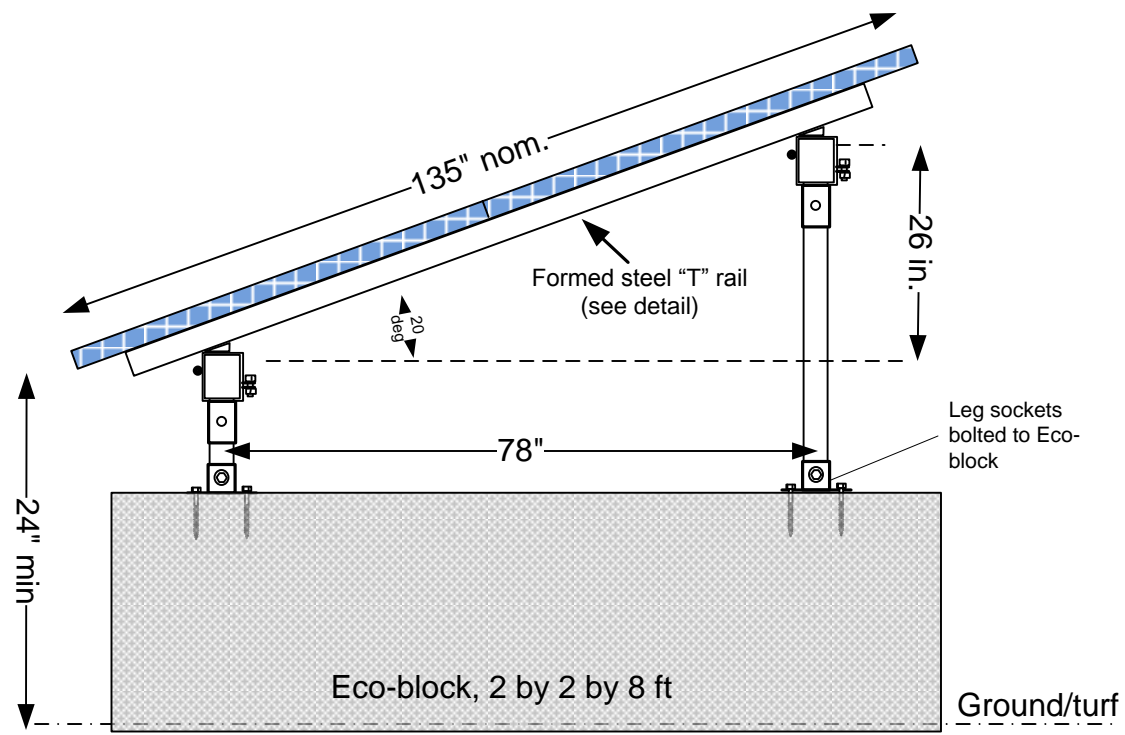
Drawing #

Mounting Options:

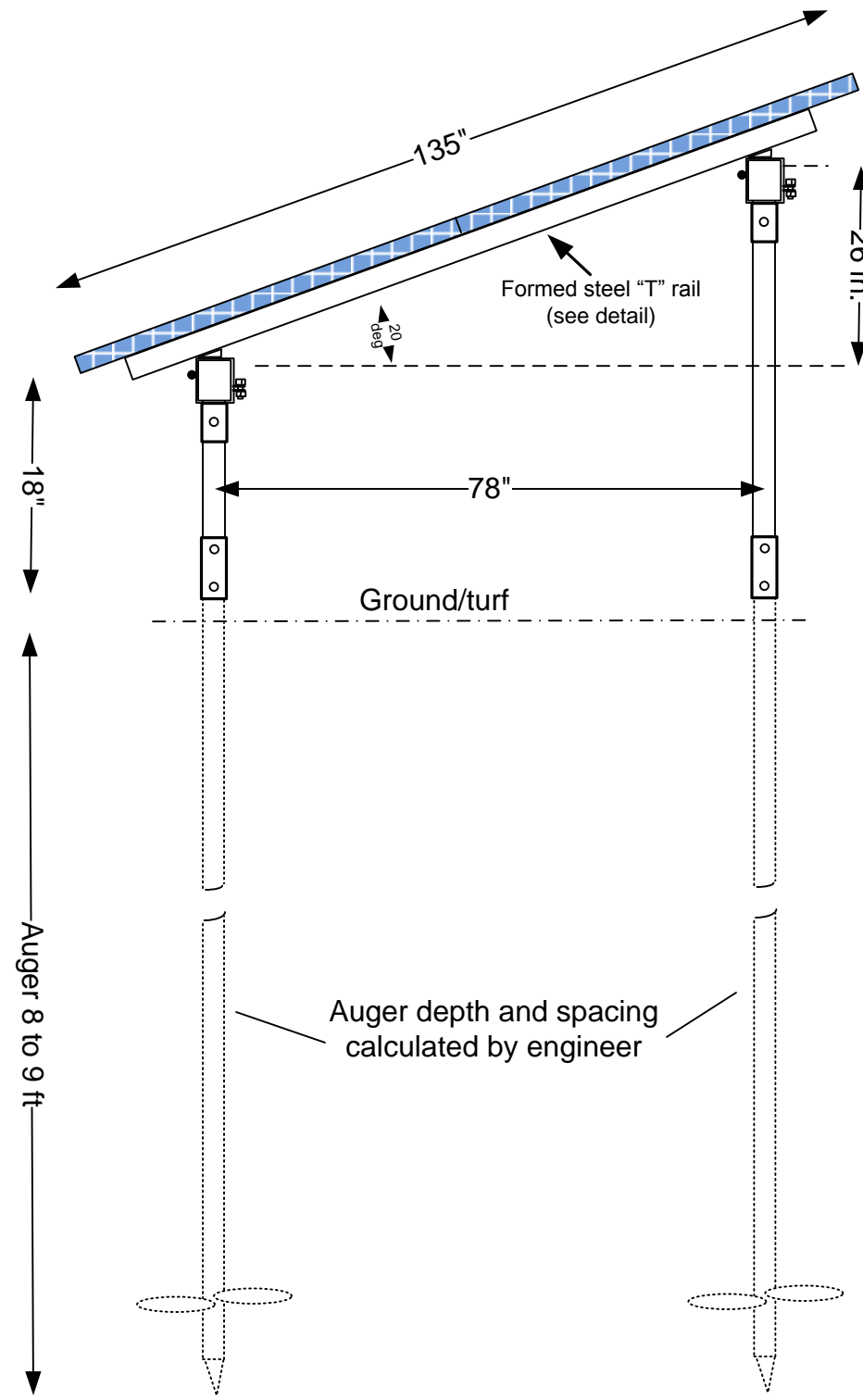
Sample:
20 deg, Tilt 2 P



Concrete and Post



Ballasted Ground Mount



Auger Ground Mount

SunModo Mounting Options

N.A

Drawing Name:

Customer Name:

Date:

Nov 29, 2012

Revisions:

Engineered By:

Cliff S.

Drawn By:

Checked By:

Approved By:

Drawing #