



## SOLAR PANEL SEAM GASKET

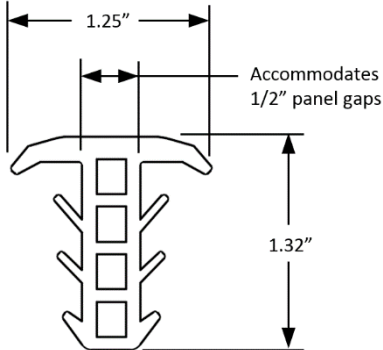
### Improve your solar panel Outdoor Living Space by installing our Solar Panel Seam Gasket between your PV Modules.

SunModo is proud to offer an easy to install rubber gasket which fits snugly between your solar panels.

**Eliminate the gaps** and protect the space below your outdoor living space from sunlight and rain by installing weather stripping between your PV Modules. If you are installing our solar canopy, solar carport or solar awning systems this product



prevents water from dripping between the solar panels. This inexpensive weather stripping is



supplied in a 26-ft (8m) long roll; enough material to cover the long edge gaps between 5 solar panels. Simply cut this EPDM gasket to length and push the gasket into the 1/2-inch gap between the solar panels; no gluing, no adhesive, no mess.

But wait there's more.... The Solar Panel Seam Gasket helps to eliminate drip lines between solar panels on Ground Mount systems too.

#### Features:

- Long-lasting EPDM gasket.
- Easy-to-assemble.

#### Benefits:

- Provides water leak protection.
- Designed for fast installation.



Not intended for sealing interior living spaces as defined under the IBC 2012-15 code.