



Ridge Bridge Mount for Corrugated Roofs
Patent # US 8424821

Installation Instructions for attaching the SunModo Ridge Bridge Mount to corrugated roofs.
Please read carefully before installing.

The SunModo Ridge Bridge Mount can be attached to most traditional or trapezoidal corrugated roof profiles. The Ridge Bridge Mounts are compatible with corrugation pitch heights ranging from 3/4" to 1-1/2".

Installation Procedure:

1. To ensure a water tight seal, wipe away excess grease or debris from the mounting location.
2. Pre-drill a 7/32" pilot hole, through the metal roofing, and approximately 2-1/2" deep into the wood purlin.
3. Secure the Ridge Bridge Mount to the crown of the metal roof profile using the Sealing Washer and the 5/16" X 4-1/2" or 5" Lag Bolt provided. Drive the Lag Bolt until it is tight and the Ridge Bridge Mount is firmly seated with the EPDM Gasket compressed. The recommended torque for the 5/16" Lag Bolt is 25 ft-lbs.
4. Inspect that the EPDM Gasket is compressed against the top of the roof surface. Use additional EPDM Gaskets if necessary to achieve a water tight seal.
5. For added water leak protection apply structural sealant, ChemLink DuraLink or equivalent, to the Lag Bolt threads and bolt head.
6. Use a plastic film insulator under the Ridge Bridge Mount to prevent galvanic corrosion on copper roofs.

Tools Required: 7/32" long-style bit, torque wrench, 1/2" and 9/16" wrench sockets, structural sealant, caulking gun, tape measure, string line and drill.

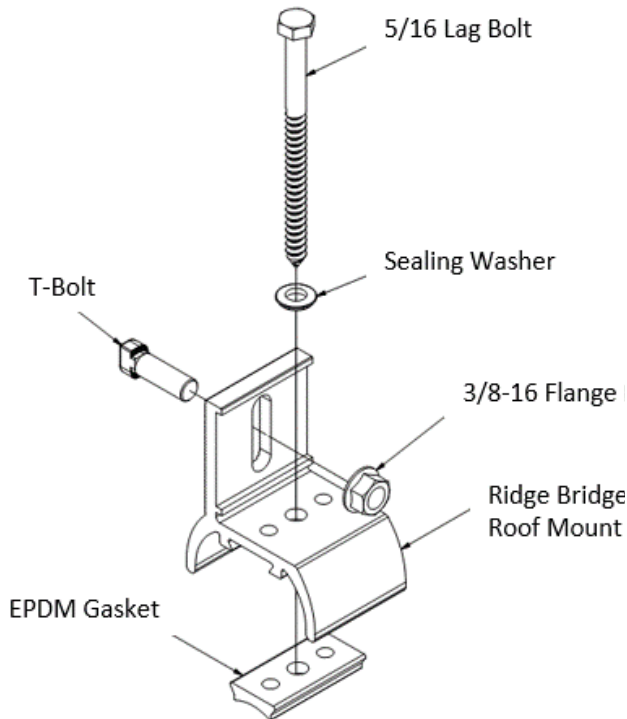


Table 1: Mount Selector

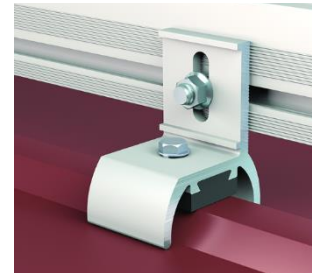


Figure 1: Mount shown on trapezoidal corrugated metal roof

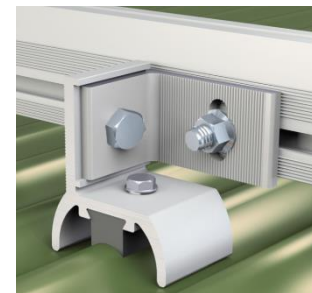


Figure 2: Mount shown combined with L-Adaptor (K10066-016) to change the orientation of rail at right angles to corrugations

Notes: To ensure Ridge Bridge Mounts are installed in a straight line, install a single Mount on each end of the roof at a measured, consistent distance from the bottom edge of the roof. Use a string line between the two Mounts. Secure the remaining Mounts along the string line, directly into the crown of the corrugated roof. Consult your structural engineer to select the appropriate fastener for metal framed buildings.