

ACE CLAMP®



AceClamp® ML
PAT No. 7,386,922

Designed for the *Architect.*
Designed for the *Contractor.*
Designed for the *Installer.*

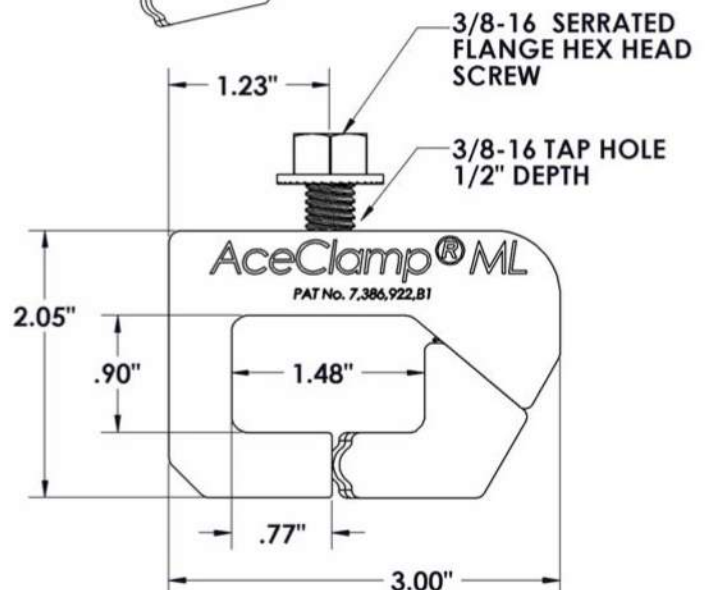
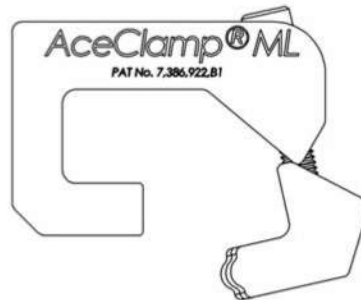


BEST VALUE YOU CAN BUY!
Install Quicker, Safer with Greater Profit
SNOW RAILS - SOLAR PANELS - ETC.

The PROOF Is On The ROOF™

Pre-Assembled Clamp
Top Loading
Installs correctly 1st time, everytime.
Torque with ease.

FIT MOST ROOF DESIGNS WITH ONLY 2 CLAMP STYLES
Reduced Inventory Requirements
HIGH WIND LOAD RESISTANCE.
Contact us for load ratings on your roof panels.



ML Roof Profiles

