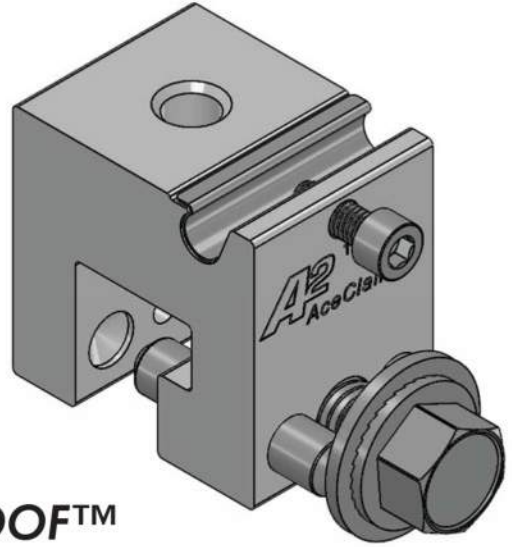




A2TM ACECLAMP[®]

A2TM AceClamp[®]
Patent Applied For

Designed for the *Architect.*
Designed for the *Contractor.*
Designed for the *Installer.*

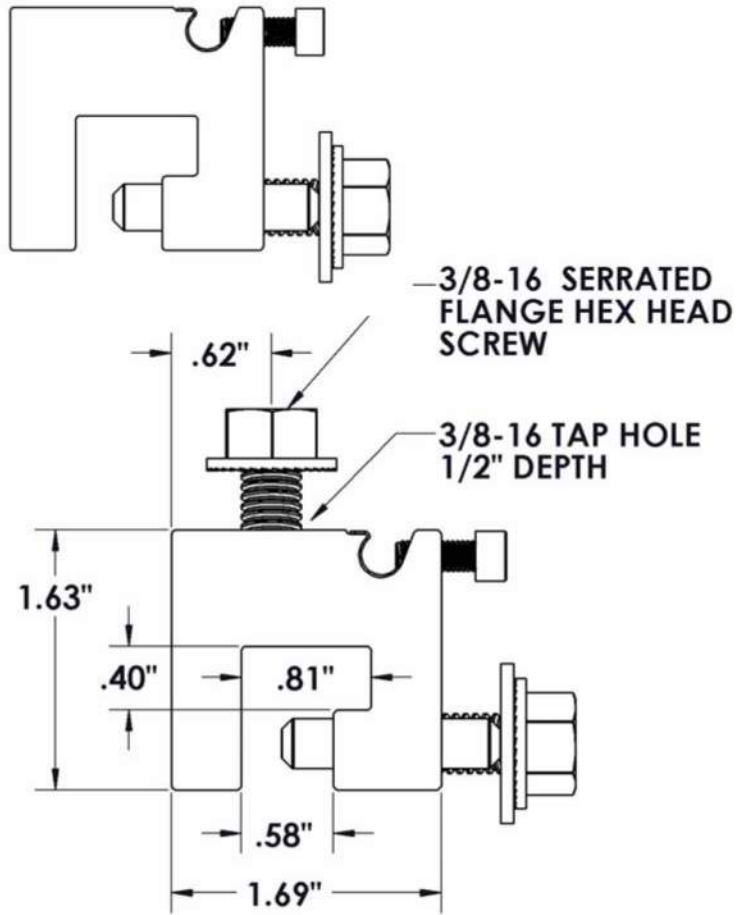


BEST VALUE YOU CAN BUY!
Install Quicker, Safer with Greater Profit
SNOW RAILS - SOLAR PANELS - ETC.

The PROOF Is On The ROOFTM

Pre-Assembled Clamp
Optional SS Sleeve for Ground Wire
Installs correctly 1st time, everytime.
Torque with ease.

FITS MANY ROOF PANEL DESIGNS
No set screws to scratch the paint
HIGH WIND LOAD RESISTANCE.
Contact us for load ratings on your roof panels.



A2 Roof Profiles

