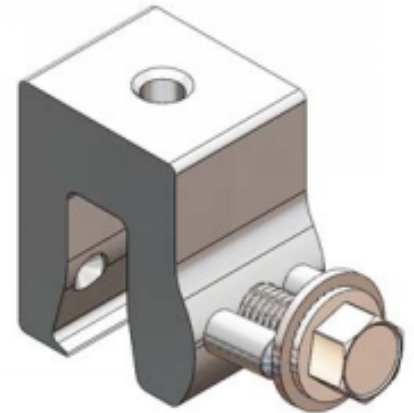


ACE CLAMP® A2[®]N

NAIL DOWN CLAMP



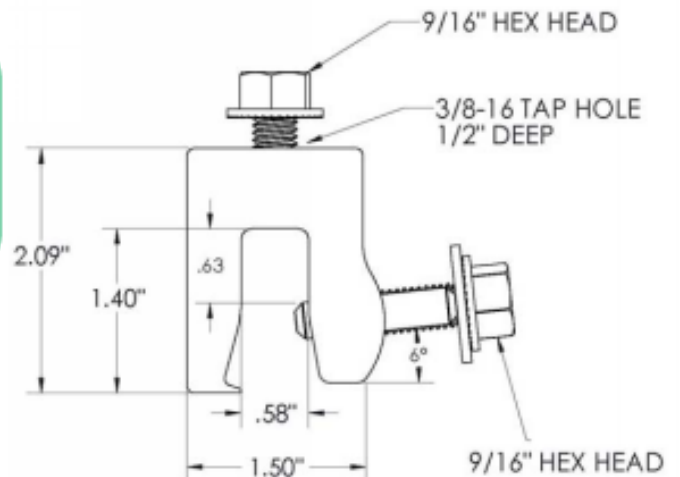
Part# 5056-N

The PROOF Is On The ROOF™

**Designed for the Architect
Manufactured for Contractors
Labor Savings for Installers**

AceClamp® A2® design for fast install
Patented sliding pins for no scratch attachments
Fits 1" & 1.5" high nail based profiles without
the need for field crimping
Fully assembled, no set screws to install

NOTE: The "N" will fit selected snaplock panel styles. Contact AceClamp® Engineering for details and load ratings.



Phone: 360-844-0048

www.sunmodo.com