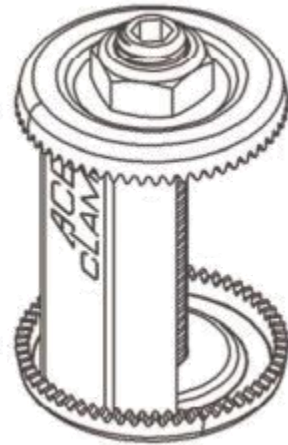
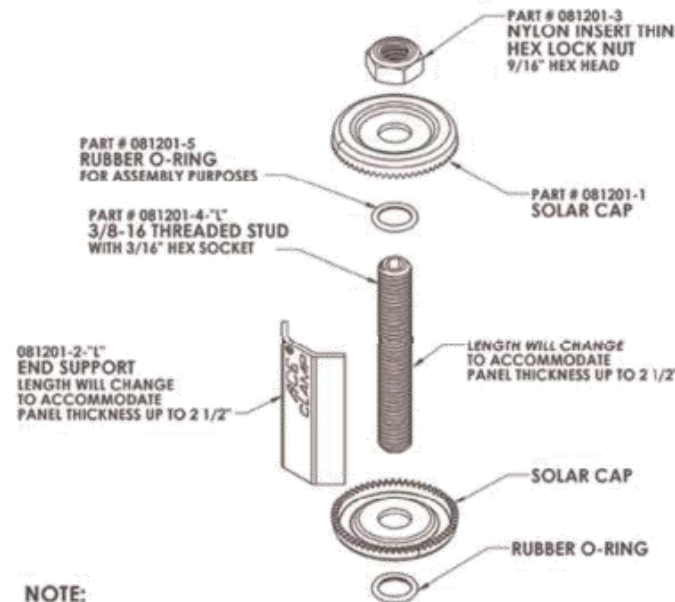
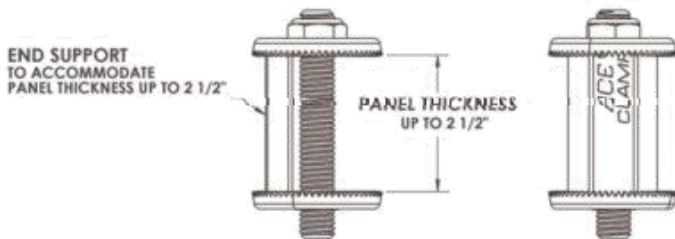




We've Got Your Rack!

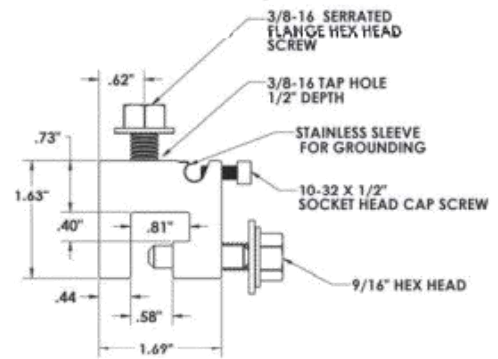


Solar Kit Components and Accessories:



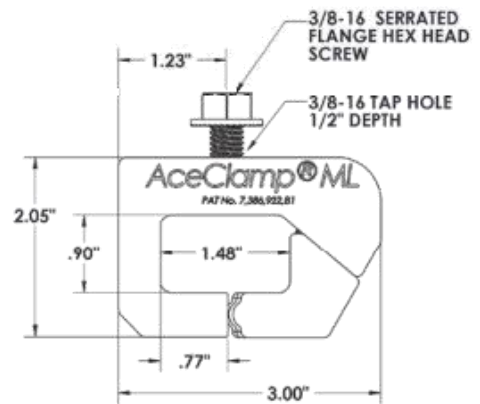
NOTE:
THE LETTER "L" IN THE PART # REPRESENT THE LENGTH OF THE COMPONENT

AceClamp® A2®



Recognized for mechanical load testing per UL2703 and UL467 grounding

AceClamp® ML



Recognized for mechanical load testing per UL2703